

DECEMBER 1972

HEWLETT-PACKARD JOURNAL



A New Series of Programmable Calculators

The three calculators and many peripherals of the 9800 Series are designed to handle the broadest possible range of applications. Flexibility and expandability are emphasized.

By Richard M. Spangler

IN RECENT YEARS, programmable calculators have taken on a large portion of the computation jobs that were previously handled by computers. Calculators have several advantages that are responsible for this trend. Calculators are small, self-contained, and easily transported—they can be brought directly to the user's desk. They are quiet, and fit easily into a laboratory or office environment. No complicated turn-on procedure is required; the user merely turns on the power switch, and the calculator is ready. The most important advantage is a psychological one—calculators are “friendly.” They are interactive, they provide immediate feedback and immediate answers, and they are dedicated to their user.

The 9800 Series is a new line of powerful programmable calculators and an extensive set of calculator peripherals. The series is designed to cover a broad range of applications. Important objectives of the new series are to provide the user with a choice of calculators that are flexible and expandable, and to support those calculators with comprehensive applications software and peripherals.

The new 9800 Series is the successor of the 9100A/B¹, HP's first programmable calculators. These earlier calculators were as powerful as the limits of technology at the time of their conception would allow them to be. But with technological advances come better calculators, hence the 9800 Series.

Three Models

There are currently three calculators in the 9800 Series. Model 10 is a key-per-function calculator with a keyboard and language that are extensions of the HP 9100A/B. The display is a three-register numeric display like the 9100A/B's, but uses seven-

segment light-emitting-diode characters rather than a cathode-ray tube.



Cover: *A diversity of users calls for a diversity of calculating capabilities, and the 9800 Series has it. Models 10, 20, and 30 are three quite different calculators, but all offer the flexibility of plug-in read-only memories, internally expandable read/write memory, and numerous peripheral devices.*

Special Issue on 9800 Series Calculators

In this Issue:

- A New Series of Programmable Calculators*, by Richard M. Spangler... **page 2**
Model 10 Maintains Compatibility, Expands Capability, by Curtis D. Brown and Jack M. Walden... **page 5**
Interactive Model 20 Speaks Algebraic Language, by Rex L. James and Francis J. Yockey... **page 8**
Basic-Language Model 30 Can Be Calculator, Computer, or Terminal, by Richard M. Spangler... **page 14**
9800 Processor Incorporates 8-MHz Microprocessor, by Henry J. Kohoutek... **page 19**
All-Semiconductor Memory System Includes Read-Only and Read/Write Chips, by Calvin L. Finn... **page 22**
Versatile Input/Output Structure Welcomes Peripheral Variety, by Gary L. Egan... **page 24**
Development of the 9800 Series, by Robert E. Watson... **page 27**

Model 20 has a statement-oriented algebraic language. The user doesn't have to position his variables in special registers or keep track of temporary results. He can enter arithmetic expressions in the same order as he would read them, including parentheses. Model 20 even allows implied multiplication, something that's not allowed even in most high-level computer languages. Model 20 has a display of 16 alphanumeric characters that can display a whole statement at a time. The alphanumeric display can be used during program execution to display comments and instructions as well as numeric results. This capability enhances the interactivity of this model.

Model 30 is even more interactive. The keyboard is alphanumeric, like a typewriter, rather than key-per-function. This complements the 32-character alphanumeric display by making it convenient to enter text and messages. The programming language of the Model 30 is BASIC, a well-known and easy-to-learn computer language that is designed for use in interactive environments.

The electronics of the 9800 Series is general in design and is common to all three calculators. The central processing unit is a microprogrammed, 16 bit serial processor that implements a general computer machine language (see article, page 19). The three separate keyboard languages and the arithmetic routines are implemented by firmware routines

stored in MOS read-only memory (ROM), and the user's programs are stored in MOS read-write memory (see article, page 22). The input/output structure is a general purpose system which makes it possible to interface with a wide variety of peripherals (see article, page 24).

Many Peripherals

Some of the more important peripherals that have been interfaced are:

- 9860A Card Reader
- 9861A Output Typewriter
- 9862A X-Y Plotter
- 9863A Mechanical Paper Tape Reader
- 9864A Digitizer
- 9865A Magnetic Tape Cassette
- 9866A Thermal Line Printer
- 9869A Hopper Fed Card Reader
- 2570A Instrumentation Coupler
- 2748A Paper Tape Reader
- 2895A Paper Tape Punch

Several general purpose interface cards are also available to interface with other HP instruments, the new HP interface system², and many peripherals from other manufacturers.

Flexible and Expandable

Flexibility and expandability of the keyboard and programming languages of 9800 Series calculators

Comparing 9800 Series Calculators

	9100A/B	9810A	9820A	9830A
Language	Reverse Polish	Reverse Polish	Algebraic	BASIC
Keyboard	Key per function	Key per function	Key per function	Alphanumeric
ROM size (bytes)	4K	5K to 11K	8K to 14K	15K to 31K
RWM size (bytes) Available to user	128(A); 256(B)	908 to 2924	1384 to 3432	3520 to 7616
I/O structure	Special Purpose	General	General	General
User definable Keys or functions	None	Optional—single key subroutine	Optional—single key subroutine or function with parameters	Standard—subroutine or function with one parameter
Recording device	Magnetic Card	Card with Cassette optional	Card with Cassette optional	Cassette standard
Display	3 register numeric CRT	3 register numeric LED	16 character alphanumeric LED	32 character alphanumeric LED
Primary Printer	Optional 16 column numeric	Optional 16 column alphanumeric	Standard 16 column alphanumeric	Optional 80 column alphanumeric

are provided through the use of add-on ROM modules. From the optional ROMs available, the user can select the language features that are required by his particular discipline.

In Model 10, three ROM blocks of up to 2048 bytes each may be added to the calculator. The first block is used to define and implement the functions of a set of 15 keys on the keyboard. The second and third blocks are for control of internal and external peripherals.

In Model 20, three blocks may be added, each controlling one of three sets of ten keys on the keyboard.

In Model 30, eight blocks may be added, and since the Model 30 has an alphanumeric keyboard, no special keys are required. The ROMs are accessed through mnemonics which are entered as a sequence of alphabetic characters.

Different Models for Different Users


Each of the three calculators is general purpose, but each has features which make it more appealing to different sets of users. Model 10's advantages are its low cost, and its compatibility with the 9100A/B, which provides the basis for an extensive applications program library. For example, the Surveying and Statistics applications packages that were originally developed for the 9100A/B have been updated and expanded to make use of the new features of Model 10.

Its natural algebraic language and its many programming and editing features, such as program flags and relative addressing, make Model 20 ideal for users who want to do their own programming. These features are particularly appealing to research scientists and engineers. The peripheral control capabilities of the Model 20 also make it attractive for use as a controller in instrumentation systems².

Its larger memory, its array-variable capability, and its built-in tape cassette make Model 30 appealing to users with large programs and data bases, such as structural engineers and investment analysts. The alphanumeric keyboard, string-variable capability, and page-width printer appeal to users in fields outside the scientific, such as education and business. The programming language of the Model 30 appeals to a large number of users who already know BASIC as a time-sharing language. With an optional Terminal ROM, time-share users can transform the Model 30 into a versatile terminal with local as well as remote computation and storage capability.

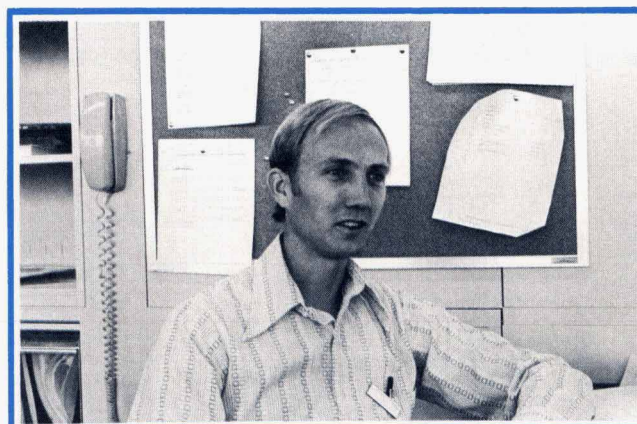
With all three calculators, each user can specify

a system of optional ROMs, peripherals, and read-write memory size to meet his own needs. This versatility is enhanced by user-definable keys, optional on the Models 10 and 20 and standard on Model 30. All three machines can also be expanded by the use of special machine language programs that can be loaded into read-write memory from a magnetic card or cassette. This capability can be used, for example, to supply a software driver for a special peripheral.

The special features of each calculator along with the general purpose nature of the hardware are designed so that some combination of 9800 Series instruments will provide a solution to almost any programmable calculator application. 

References

1. Hewlett-Packard Journal, September 1968.
2. G. E. Nelson and D. W. Ricci, "A Practical Interface System for Electronic Instruments," Hewlett-Packard Journal, October 1972.



Richard M. Spangler

Rick Spangler received his B.S.E.E. degree in 1967 and his M.S.E.E. degree in 1968 from Stanford University. He joined HP in 1968, helped design the 9100B Calculator, then served as project leader for the 9830A firmware. He's now an engineering group leader in the calculator laboratory. His recreational activities aren't unusual for HP Loveland Division engineers; they include mountaineering, water skiing, and bicycling.

Model 10 Maintains Compatibility, Expands Capability

by Curtis D. Brown and Jack M. Walden

IN KEYBOARD LANGUAGE AND APPEARANCE, Model 10 of the 9800 Series, or Model 9810A, is closely related to the 9100A/B Calculators, HP's first programmable calculators and the predecessors of the 9800 Series. Most of the 9810A keys are marked the same as the 9100A/B keys, and when used in the same way, perform the same operations. The same "reverse Polish" keyboard language is used. What's more, the keycodes stored in the program memory are the same when the keys are marked the same. This close similarity was maintained wherever possible to provide a useful carryover of the well established 9100A/B keyboard operations and associated programming techniques. However, 9100A/B operations are a subset of the 9810A's. Many new capabilities and features have been added in the new calculator.

In hardware implementation the 9810A bears no resemblance to the 9100A/B. Rather, it is similar to the other 9800-Series Calculators, Models 20 and 30. 9800-Series Calculators are all implemented from a common hardware base which is actually a 16-bit-word, general-purpose minicomputer. Individual calculator-model characteristics are obtained by internal ROM-stored machine-language programming. The unique hardware for each model consists primarily of the keyboard and display, which are tailored to the needs of the individual models.

The most important individual characteristics of the 9810A are:

1. A three-register (x, y, and z) light-emitting diode display
2. Separate memories for program and data storage
3. All-decimal addressing of program and data storage
4. Modular internal expansion of program and/or data storage
5. Indirect addressing for any register reference
6. Arithmetic operations (all four functions) into or from all data registers
7. Optional function blocks (ROM) to define the operation of the lefthand keyblock and other auxiliary functions, user-installable with ease.

9810A Hardware Features

The three-register LED display is one of the most conspicuous front-of-machine changes noticed by those familiar with the 9100A/B's CRT display. LED display was chosen because it is a bright, highly visible display whose brightness and size of characters are practically uninfluenced by line voltage, it fits in a small space, and its low supply voltages and signal levels interface directly to internal logic levels and supply voltages.

The magnetic card reader has a new feedthrough card path, allowing the use of longer cards than those used in the 9100A/B. The longer cards have greatly increased storage capacity, a necessity for making full use of the larger program and data memories of the 9810A and 9820A Calculators.

The 9810A and 9820A Calculators each have three sockets for plug-in read-only-memory (ROM) modules. These are direct extensions of the internal ROM. They allow expansion of operating features and redefinition of the lefthand keyblock. In the 9810A the lefthand keys may be defined at the user's option to provide standard mathematical functions (almost identical to the 9100A/B), statistical calculations, user-definable (keyboard language) functions, or programming aids.

The optional plotter, cassette, typewriter, and other peripherals are controlled by other plug-in blocks that are accessed by use of the FMT key on the keyboard. This plug-in block concept allows the user to configure and reconfigure the machine and peripheral-control facilities to suit the needs of the moment.

The thermal strip printer, housed within the calculator case, is controlled by internal programming. The basic 9810A provides for the printing of numeric values as they appear in the x register, or the listing of programs as they appear in the program-mode display. An optional plug-in block provides for message printing and the addition of key-code mnemonics (functional abbreviations) to the program listings.

9810A Software Features

While the 9810A has a much larger bit-storage



Fig. 1. Model 10 of the 9800 Series has all the capabilities of previous HP programmable calculators, plus many others. New features are the LED display, a larger internally expandable memory, decimal and indirect addressing, arithmetic operations into or from all data registers, and optional plug-in function blocks to define the lefthand keyblock and other auxiliary functions.

capacity than the 9100A/B, its memory is effectively made still larger by some new step-saving features. A major change from the 9100A/B is the decimal addressing structure for programs and data. The novice programmer adapts more quickly to decimal addressing, but a more important reason for its adoption is that it is necessary for the indirect addressing mode. An indirect reference to register a , say, will result in using the value of register a as a new register address. For example, the keystroke sequence $x \rightarrow$, INDIRECT, a , will store the contents of the calculator's x register in the register whose address is given by the contents of a .

The indirect capability of the calculator can save many steps when a number of data registers are to undergo equivalent operations. One data register can be set aside as a pointer. The value of the pointer register designates one of the data registers to which the operations are to be applied. By incrementing the pointer register, a common subroutine can operate on the desired data registers in turn, saving many program steps over the direct reference method.

Another important step-saving feature in the 9810A is the register arithmetic capability. Normally, if one wanted to add the x register to register 10, one would recall register 10 to the y register, add the x register, and store the results in register 10. With register arithmetic, however, a mathemati-

cal operator may be specified preceding the transfer address in a store or recall operation. One would then say $x \rightarrow$, +, 10 to do the above operation.

This capability is bidirectional. Thus $x \leftarrow$, +, 10 will add register 10 to the x register. Since any of the four arithmetic operations (+, -, \times , \div) may be used, each register of the 9810A is in effect a powerful accumulator. This feature greatly increases programming flexibility by reducing the amount of shuffling of the x , y , and z registers.

Indirect addressing may be used with register arithmetic by including the INDIRECT key either before or after the arithmetic operator.

Because of the size of the 9810A memory, an improvement in programming and debugging ease over the 9100A/B was vital. Three new features attack this problem directly: label goto's; alphanumeric key mnemonics; and a printed record of entered keystrokes (keylogging).

Labeled transfers are most useful during the program creation phase, where actual program step addresses either are not known or may change frequently as debugging progresses. Any step in the calculator program may be assigned a label by entering the LABEL key followed by any other key stroke. Control may later be transferred to that step by executing a GOTO or GOSUB LBL, then the same keystroke. A search is initiated, beginning at program step zero, and continuing through the program

area until the label is found. Later, when the program is operating satisfactorily, absolute addresses may be substituted for each labeled GOTO; this gives a speed advantage by eliminating the search. (Model 9820A also has these capabilities.)

Alpha Printing

An alternative to remembering the numerical equivalents of all 64 keys is provided by an optional ROM, which generates three-letter mnemonics during listings on the thermal printer. These are useful for program debugging or documentation. This ROM also allows printing of messages during program execution, using the Format key to change the definition of the calculator keyboard. Two consecutive FMT keystrokes begin the character print mode. Keys that follow are interpreted as characters of the alphabet, rather than as their assigned function, and are printed a line at a time on the strip printer. Another FMT key terminates the character print mode and restores normal calculator operation.

The keylog feature provides a printed record of all calculator keyboard operations. When the keylog mode is selected each key entered from the keyboard is automatically printed. If the calculator is in keyboard mode, the steps in a certain calculation may be verified. In program mode, the result is a full step-by-step listing of the program entered. With the optional plug-in ROM, mnemonics are printed along with the keycode.

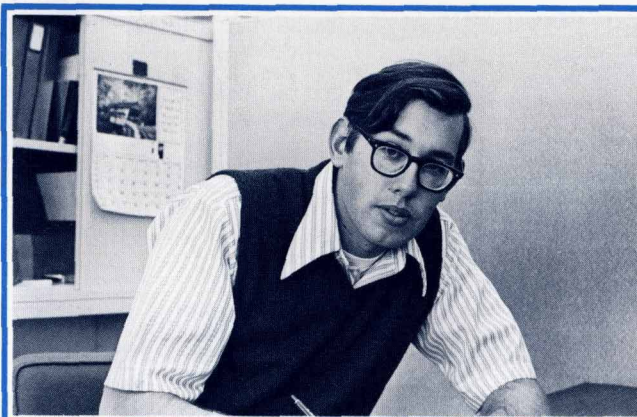
Another feature that simplifies the operator's interaction with the 9810A is a backstep key. The backstep key decrements the calculator program step counter. It's helpful in examination of stored programs.

Flexibility through Plug-In ROMs

To one person, his 9810A may be an aid in statistics, to another it may be a purely mathematical or scientific machine, while to a third, it may be a peripheral controller. This changing nature of the 9810A is made possible by the plug-in ROM concept. The implementation of this concept posed a special problem for the machine coding. How can blocks yet to be conceived be slot-independent and still interface readily to the basic calculator?

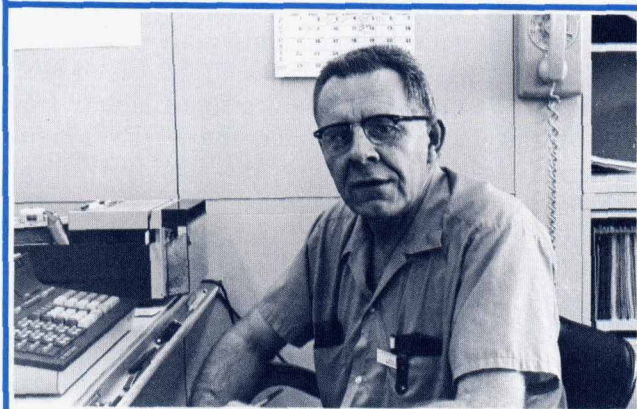
The solution was to use the Format key to initiate a search through possible ROM block locations. The key following the FMT is compared with a special identifier word in each ROM, and when these codes match, the desired ROM has been found.

Many operations which could not be included in the keyboard directly are also implemented through the FMT key:



Curtis D. Brown

Curt Brown worked on firmware development for the 9810A and 9820A. He received his B.S.E.E. degree from the University of California at Davis in 1969 and his M.S.E.E. degree from Massachusetts Institute of Technology in 1970. He joined HP in 1970. He's a member of IEEE and AAAS. Of his spare-time activities, Curt says they include "all the standard sports," and adds, "My wife and I have adopted a modified form of the good life. Our private yacht is an 11-foot styrofoam sailboat, and our personal aircraft is a 1954 Piper Tripacer."



Jack M. Walden

Adventure and fortune beckoned to Jack Walden soon after he got his B.S. degree in engineering physics at South Dakota School of Mines and Technology in 1944. He headed for Alaska, where for the next 15 years he was involved in designing, building, and operating most of the radio and television stations there. In 1960 he became a student again, this time at Oklahoma State University, where he received his M.S.E.E. and Ph.D. degrees in 1962 and 1965. He stayed on at O.S.U. as an associate professor of electrical engineering and computer science, teaching a variety of graduate and undergraduate courses, then in 1969 he joined HP to work on the 9810A Calculator project. He's now an engineering group leader. Jack is a senior member of IEEE, a member of ACM, and a member of Phi Kappa Phi. His wide-ranging interests include music, hi fi, water skiing, programming calculators and computers, mathematics, and amateur radio.

- | | | | |
|-----------------|---|-----------------|--|
| 1) FMT ↑: | raise the plotter pen and move to the coordinates given in the x and y registers. | 4) FMT GOTO | load a magnetic card program at location zero, and begin execution at location zero. (Useful for chain-loading programs) |
| 2) FMT ↓: | lower the plotter pen and move to the coordinates given in the x and y registers. | 5) FMT CONTINUE | start the paper tape reader and prepare the calculator to accept information. |
| 3) FMT x→
x← | load or record data registers using the magnetic card reader. | | |

These routines are all contained in the basic 9810A.

Interactive Model 20 Speaks Algebraic Language

by Rex L. James and Francis J. Yockey

IN MODEL 20 OF THE 9800 SERIES, OR MODEL 9820A, the emphasis is on using the 9800 technology to provide a highly interactive calculator. Like the 9810A, the 9820A is a ROM-driven mini-computer. Its interactive nature stems mainly from its natural algebraic language and its built-in peripherals—keyboard, printer, and display.

Modularity provides another level of interactivity by allowing the user to configure the 9820A to fit his application.

The display consists of a single register of sixteen alphanumeric characters. Each character is formed by a seven-row, five-column matrix of light-emitting diodes (LEDs). The printer and keyboard are similar mechanically to those of the 9810A (see box, page 11).

The 9820A's combination of fast LED display and quiet thermal strip printer allows a program to be run in an interactive mode unattainable before. The hard-copy results on the printer aren't cluttered with user instructions, since these appear in the LED display. User instructions appear instantaneously in the display; there's no need to wait for a printout.

When a key is pressed a mnemonic or character appears in the display to give instant visual feedback. The 16 characters are enough so that successive keystrokes can be seen in context. For example, the expression "if the square root of 6 equals A, go to line 17" would require the keystrokes

IF $\sqrt{6} = A$; GOTO 17
and would appear in the display as
IF $\sqrt{6} = A$;GTO 17

Natural Algebraic Language

Model 20 uses a powerful but natural instruction set to enable the user to solve complex mathematical problems quickly. The instruction set combines the features of the keyboard with the features of computer languages like ALGOL, FORTRAN, and BASIC. The result is a human-oriented, conversational approach to problem-solving, an approach that follows the structure of algebra in symbols and hierarchy.

A typical program for the 9820A is as follows. The program solves the quadratic equation $(-B \pm \sqrt{BB - 4AC})/2A$.

```

0: ENT "A VALUE",A
1: PRT "A=",A
2: ENT "B VALUE", B
3: PRT "B=", B
4: ENT "C VALUE", C
5: PRT "C=", C
6: IF 4AC>BB;GTO "IMAG"
7: PRT "REAL ROOTS";SPC 1
8: PRT  $(-B + \sqrt{BB - 4AC})/2A$ ;SPC 1
9: PRT  $(-B - \sqrt{BB - 4AC})/2A$ ;SPC 9;JMP -9
10: "IMAG"
11: PRT "COMPLEX ROOTS";SPC 1
12: PRT "REAL", "IMAGINARY";SPC 2

```



```

13: PRT -B/2A,√(4AC-BB)/2A;SPC 1
14: PRT -B/2A, -√(4AC-BB)/2A;SPC 9; GTO 0
15: END

```

Notice in lines 8 and 9 of the program that the answer to the equation is programmed in the same way that the user would write it on paper. There are no artificial machine rules to remember. To maintain the structure of algebra, implied multiplication was implemented to avoid forcing the user to insert "*" between variables to be multiplied. Parentheses can be used and nested to any depth to change the order of evaluation of an algebraic expression.

Lines 0-5 demonstrate the interactivity of the calculator. First the calculator stops and displays an alpha message of what is to be entered. The user then keys in the desired value. After RUN PROGRAM is pressed the calculator stores the value away and prints the label and the value of the entered data. In this way all three values, A, B, and C may be entered. The roots then appear on the printout.

Editing

Convenient editing features have been included in the 9820A. To edit the above program to change to the absolute form of the GOTO, the user would key in GOTO 6 RECALL. Line 6 will be recalled

to the display. Hitting the back key 7 times will give the following display:

```
6:IF 4AC>BB; GTO
```

To finish the edit, the user keys in 1 0 STORE to form the new line of program. Since the label is no longer needed in line 10, it can be eliminated by keying in GTO 1 0 RECALL DELETE.

The new listing is as follows.

```

0: ENT "A VALUE",A
1: PRT "A=",A
2: ENT "B VALUE", B
3: PRT "B=", B
4: ENT "C VALUE", C
5: PRT "C=", C
6: IF 4AC>BB;GTO 10
7: PRT "REAL ROOTS";SPC 1
8: PRT (-B+√(BB-4AC))/2A;SPC 1
9: PRT (-B-√(BB-4AC))/2A;SPC 9;JMP -9
10: PRT "COMPLEX ROOTS";SPC 1
11: PRT "REAL", "IMAGINARY"; SPC 2
12: PRT -B/2A,√(4AC-BB)/2A;SPC 1
13: PRT -B/2A, -√(4AC-BB)/2A;SPC 9;GTO 0
14: END

```

Notice that the label has been deleted and all the lines below it have been moved up and renumbered.

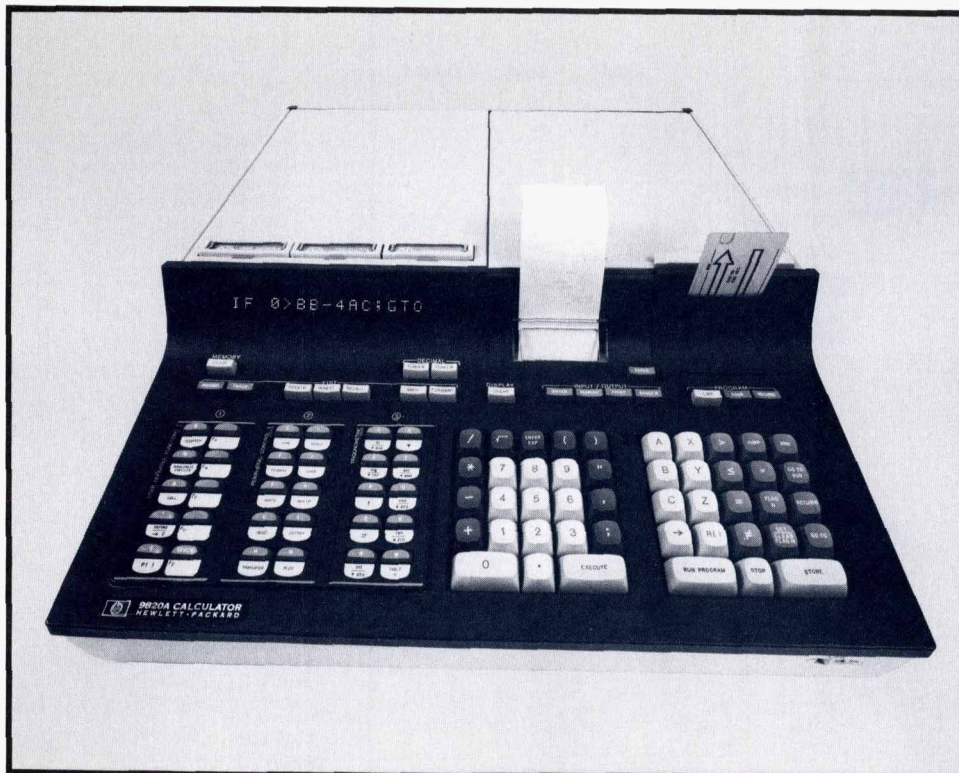


Fig. 1. Model 20 of the 9800 Series has a 16-character alphanumeric LED display that shows several keystrokes or program steps in context. Special features are a natural algebraic language, an interactive mode of operation, and plug-in modules that define the functions of the three lefthand keyblocks.

With the editing keys, the user can REPLACE, INSERT, or DELETE any line or character. The user observes all of the changes as they take place, by watching the alphanumeric display.

Machine Language

An algebraic language is easy for humans to understand and use, but is difficult for a machine to understand and execute. Take the example:

$$A * B + C * D \quad (1)$$

When operators appear between operands as in equation 1, the precedence of the operators becomes important in the sequence of execution. Since multiply is normally assigned a higher precedence than addition, those operations associated with multiplication are performed before addition.

Equation 1 can be rewritten so that operations are executed as they are encountered:

$$A B * C D * + \quad (2)$$

This notation is known as "Polish," or more correctly, "reverse Polish" notation.

When equation 2 is executed, operands are passed directly to a stack, which is a temporary holding area organized so that the first item into

the stack will be the last item out. When a binary operator is encountered, it is applied to the top two values of the stack. The specified operation is performed and a single result is returned to the stack. Several forms of Polish notation are widely used by most desk calculators today, including the 9810A. Its main advantages are that it is easy to implement, it has fast execution speed, and it allows compact storage of programs. Its main disadvantage is that it isn't natural to the untrained user.

9820A Has Compiler

To take advantage of both the naturalness of the algebraic language and the speed and compactness of Polish notation, the 9820A's algebraic language is compiled into a machine language similar to the reverse Polish notation shown in equation 2. The compiler flowchart is shown in Fig. 2, along with an example showing the process of compiling the equation

$$A + B \uparrow (C * D / (D + F) * G).$$

As a string of algebraic codes is input, the compiler forms a string of machine language codes. During the compiling operation a stack is used to

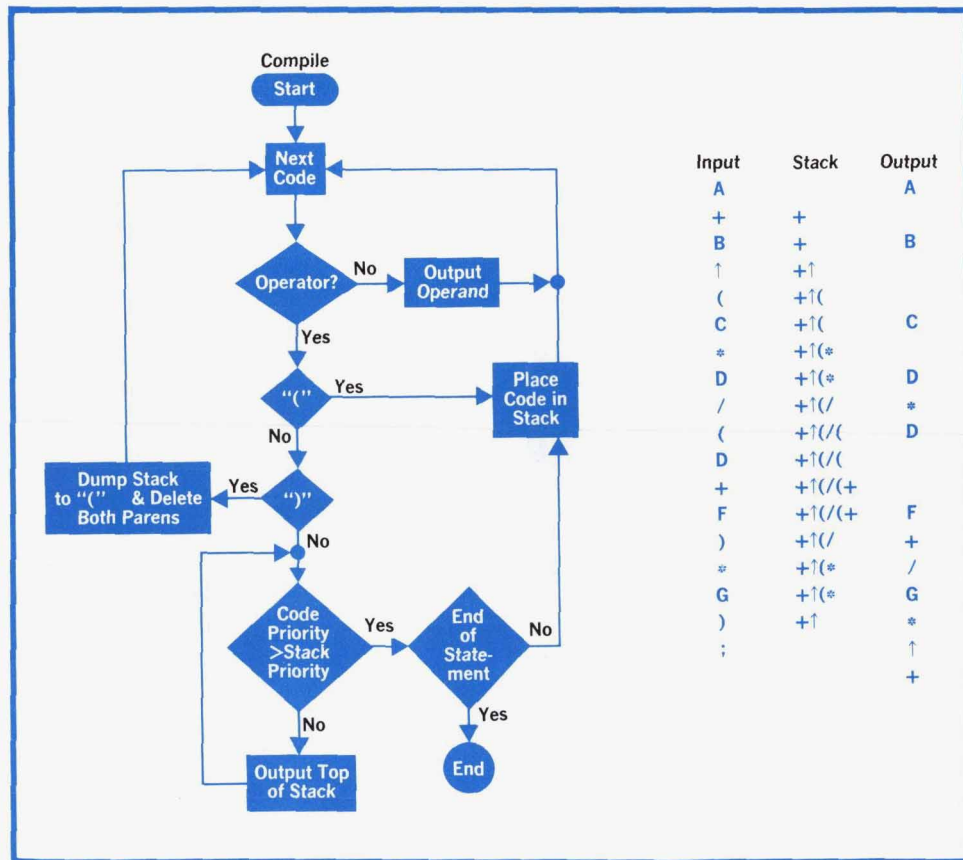


Fig. 2. Model 20 compiles algebraic-language user programs into a faster-executing machine language. Only the compiled version is stored.

Printer and Keyboard for Models 10 and 20

The 9810A and 9820A Calculators use the same thermal printer and keyboard design.

The printer (Fig. 1) prints lines of sixteen alphanumeric characters on heat-sensitive paper. A five-by-seven dot matrix is used to form each character. The printer has a row of print elements distributed linearly across its printing head. Each print element is an electrical resistor of the right size and shape to produce a dot on heat-sensitive paper moved at a right angle to the line of print elements. Dots are formed in the conventional manner by exciting a resistor element with a pulse of electrical current, which raises its temperature.

The printer produces each line of print by printing the top row of all sixteen characters, then stepping down to print the second row, and so on until all seven rows are printed. Three blank steps are then added to produce the space between lines.

The printer is quiet and adaptable and has a minimum number of moving parts—all in the paper advance.

The keyboard is a contactless unit made up of an array of printed circuit transformers (Fig. 2). The secondaries of all the coils are tied in series to form the sense line (Fig. 3). The primaries of the coils are arranged in pairs. Each pair is connected in series with opposite polarity. Every pair has a drive and sink line, which is selected and driven by the scanner.

Centered above each coil is a metal disc attached to the end of the key shaft. When a key is pressed the disc moves closer to the coil. The disc acts like a shorted turn, reducing the coupling of the coil and unbalancing the pair. This unbalance is amplified by the comparator when it is greater than the "on" bias. The comparator triggers the one-shot multivibrator, which turns off the scanner and lowers the "on" bias. The scanner remains in the same state, which corresponds to the drive and sink line of the key that was pressed. This state is the keycode of the key pressed.

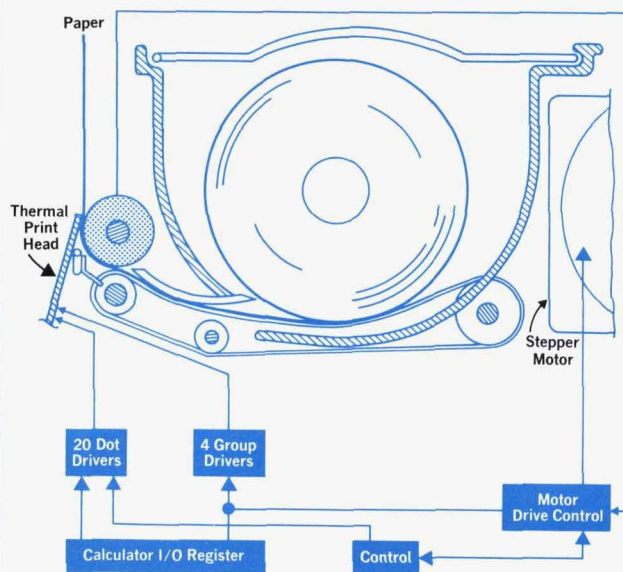


Fig. 1. Thermal printer has few moving parts.

When the key is released a spring retracts the key and disc. When the unbalance is less than the lowered "on" bias the comparator turns off and the scanner starts again, ready for a new keystroke. The two bias levels give the key mechanical hysteresis.

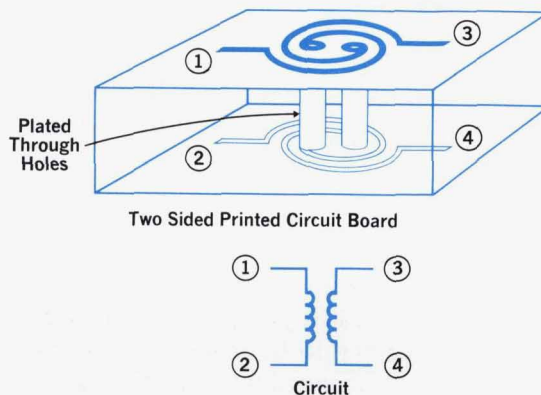


Fig. 2. Printed-circuit transformers, one for each key, are used in the contactless keyboard.

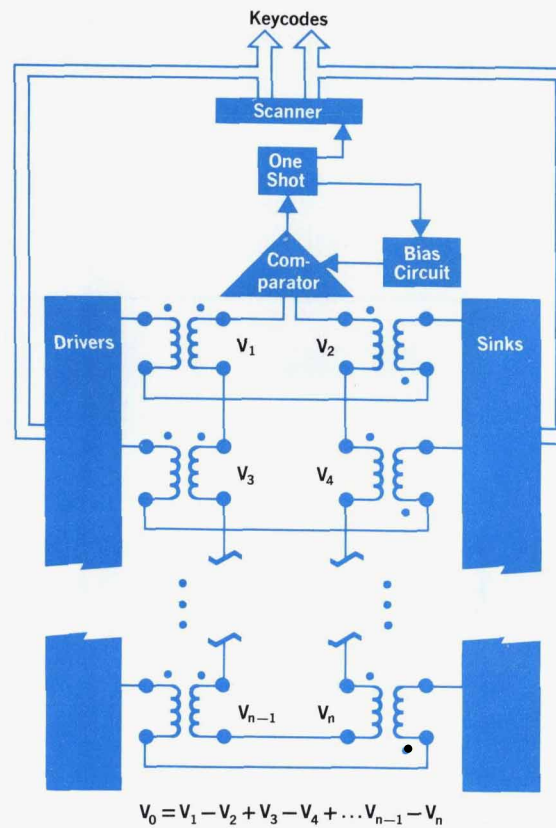


Fig. 3. Pressing a key unbalances one of the pairs of transformers and causes a keycode to be transmitted by the scanner.

hold the operators and establish their order of appearance in the compiled string. All operands are passed directly to the output string while operators are put into the stack. Before an operator is placed into the stack, the stack is checked to see that all operators of greater or equal priority are first output.

Parentheses can be used to change the normal order of execution of an algebraic statement. The left parenthesis has the effect of temporarily resetting the compiler for the evaluation of the string of codes found inside the parentheses. The right parenthesis will then cause all operators in the stack to be output until a left parenthesis occurs. However, neither of the two parentheses are needed in the compiled code.

Compilers of this and more complex types have been used for years in computers. When changes to the program have to be made, the source cards or paper tape are changed accordingly and the program is recompiled. With a desk calculator, this operation is too severe a penalty to pay. Also, it isn't possible to store both the source code and the compiled code in the calculator memory at the same time. It's necessary, therefore, to reconstruct the code for editing and program listings.

Uncompiler

The solution to this problem is the concept of the uncompiler (see Fig. 3). With the uncompiler, it's possible to take the compiled code as input and reconstruct the original algebraic form. The code

is scanned backwards. Parentheses are inserted where needed in the reconstructed code, and redundant parentheses are omitted. For example,

$$(A*B) + (C*D)$$

will be reconstructed as

$$A*B + C*D$$

after going through the compile/uncompile process.

With the compile/uncompile feature, the 9820A only has to store the compiled form of the code. In the 9820A, a line of program is the basic unit used for the compiler/uncompiler and editing features. As a line of program is entered, it is stored in a buffer area and displayed in its algebraic form. When the STORE key is hit, the line of program is compiled and stored away in the program area.

When the user chooses to edit a line of program, the program line is located in memory, uncompiled into a buffer area, and displayed in its reconstructed form. Now editing can be performed. When the editing is finished, the line is compiled and once again stored in memory. To the user, the compile/uncompile process is transparent except for a slight pause while storing or recalling a line of program.

Modularity

Another level of interactivenss is brought about by the modularity of the memory structure and the general-purpose minicomputer heart of the calcu-

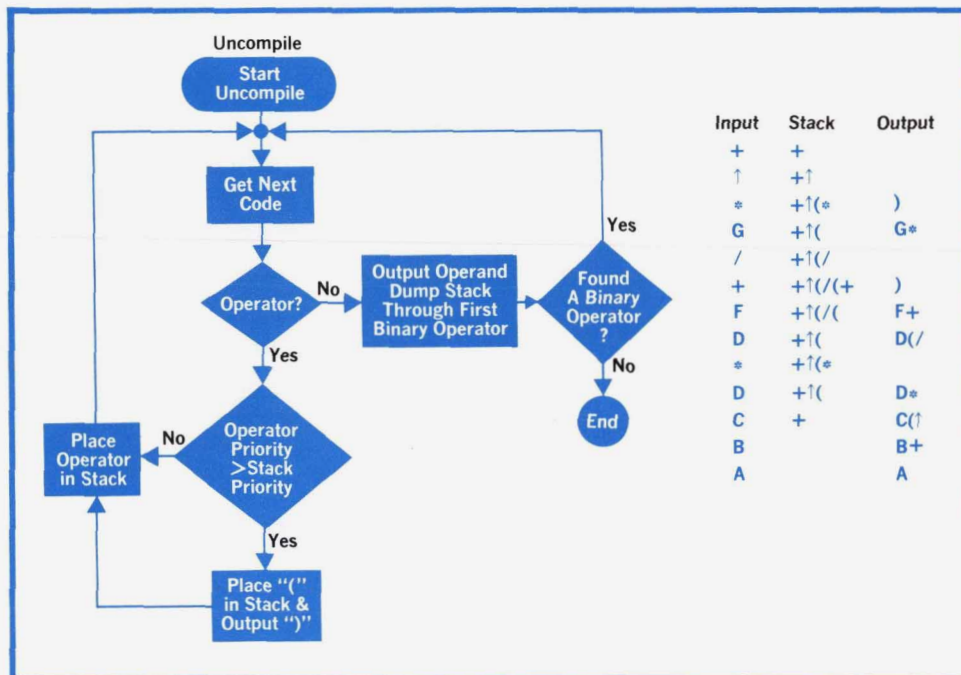


Fig. 3. An uncompiler reconstructs the original program for editing or listing.

lator. The 9820A can be configured to various applications in three ways: additional keyboard functions by read-only-memory additions, additional read/write memory, and addition of external peripherals.

There are thirty keys, arranged in three blocks of ten, available to the user to be defined for his special needs by means of plug-in ROM. Some plug-in modules provide mathematical functions, others give high-level-language control of external peripheral devices, and another allows users to define subroutines for their own special functions.

Because MOS RWM is used, additional user memory may easily be added to the basic machine. The fully loaded 9820A has 9K (9216) 16-bit words of memory: 7K is ROM and 2K is RWM.

The I/O structure provides four I/O slots on the back of the calculator to accept interface cards for peripheral devices. An I/O expander augments the 4 I/O slots of the calculator.

Another Program Example

A good example of Model 20's interactive nature is this Butterworth filter design program.

Display: NUMBER OF POLES?

Key in: 3

Display: CENTER FREQUENCY

Key in: 1000000

Display: BAND WIDTH?

Key in: 1000000

Display: RESISTANCE?

Key in: 50

Display: REALIZATION TYPE

Key in: 2

Realization Type 2 specifies the physical configuration of the circuit.

With this input the output shown in Fig. 4 comes from the printer.

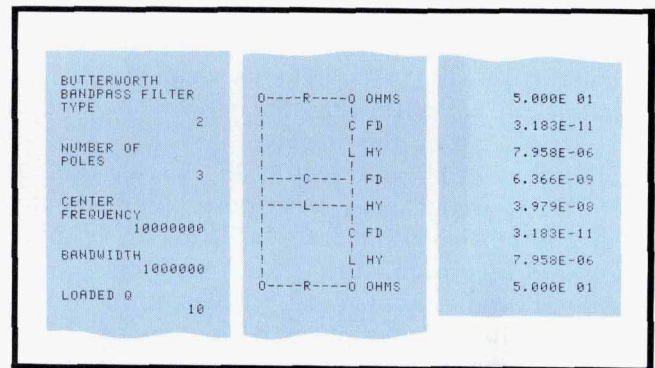


Fig. 4. Butterworth filter design program demonstrates interactivity of calculator. Printer output is shown here; user instructions appear in display.



Rex L. James

Rex James graduated from Brigham Young University with a B.S.E.E. degree in 1963 and joined HP the same year. For the last five years he's been an engineering group leader on various digital coupler, memory, and calculator projects. Before that, he was project leader for the 463A Amplifier. Rex received his M.S.E.E. Degree in 1967 from Colorado State University. Between 1969 and 1970, he taught electrical engineering at BYU. Along with relatively ordinary spare-time activities like golf and carpentry, Rex has a couple of unusual ones: he raises horses and he's a beekeeper. He's also a leader in the Boy Scouts of America and in his church.



Francis J. Yockey

Frank Yockey developed the interactive firmware and the peripheral control ROM blocks for the 9820A. A University of Michigan graduate with B.S.E.E. (1964) and M.S.E.E. (1965) degrees, Frank came to HP in 1965. His first design contributions were to the 5480A Signal Averager and related products. He's now in calculator market development. Frank is an amateur photographer and a backpacker. He also enjoys bicycling and making (and presumably drinking) his own wine.

BASIC-Language Model 30 Can Be Calculator, Computer, or Terminal

By Richard M. Spangler

MODEL 9830A IS THE LATEST AND MOST POWERFUL CALCULATOR IN THE 9800 SERIES. Its keyboard design, programming language, memory size, I/O capability, and flexibility make the 9830A more like a desktop computer than a calculator. Yet it maintains the convenience and user interaction that makes a programmable calculator so easy to use. The user can still set the machine on his desk, turn the power on, type in $2+2$, and see 4 on the display.

Like the 9810A and 9820A, the 9830A (Fig. 1) is a ROM-driven general-purpose minicomputer with specialized peripherals built in. In its minimum configuration, the 9830A contains $7\frac{1}{2}$ K words of read-only memory (ROM) and 2K words of read/write memory (RWM). The memory is expandable to 16K words of ROM and, initially, to 4K words of RWM. The display register contains 32 alphanumeric characters, and uses the same 5×7 LED dot matrix as the 9820A.

A built-in tape cassette unit is included in the mainframe in place of the magnetic card reader used in previous HP calculators. The I/O structure of the 9830A is identical to that of the 9810A and 9820A, so all the 9800-Series peripherals operate with the 9830A. The new 9866A page-width thermal line printer (see Fig. 2) is designed to be the primary output peripheral for the 9830A. It fits directly on top of the calculator. It can print 80-column lines at a rate of 250 lines per minute.

Alphanumeric Keyboard

The keyboard of the 9830A represents its most significant departure from the traditional concept of a programmable calculator. It is not a key-per-function keyboard, but rather an alphanumeric keyboard like that of a typewriter or teleprinter terminal.

Besides the alpha section of the keyboard, there are three groups of special keys that facilitate use



Fig. 1. Model 30 of the 9800 Series has an alphanumeric keyboard like a teleprinter. Its language is BASIC. It can be used as a desktop computer or a remote computer terminal, yet it maintains the convenience and user interaction of a programmable calculator.

of the 9830A. The first group is a calculator section, which contains the digits and the most commonly used arithmetic operators. The second group contains special control keys used in operating, editing, and debugging programs. The keys in the third group are definable by the user.

The use of an alphanumeric keyboard rather than a key-per-function keyboard removes the major restriction to programming language definition and language expandability. It is not necessary to add a new key to the keyboard whenever a new function is added to the language. Rather, a new function is assigned a mnemonic which can be entered as a sequence of alpha characters.

BASIC Language

In the development of the 9830A, it was decided not to define another new and unique programming language. The language of the 9830A is BASIC, which is well known among users of small computer and time-shared systems. All of the changes that have been made in BASIC in the 9830A are additions to standard BASIC, so programs written in versions of BASIC that are close to the standard version will run on the 9830A with little or no modification. This means that a tremendous program library is already available.

Besides being well known and used extensively, BASIC has several other characteristics which make it well suited for a programmable calculator. Since the language was originally designed for use in time-sharing environments, it is interactive and conversational. The 9830A fully exploits these characteristics by communicating through the 32-character alphanumeric display and the thermal line printer.



Fig. 2. Model 9866A Thermal Line Printer is the primary output peripheral for Model 30.

BASIC is easy to learn because the commands closely resemble English and there are very few tricky syntax rules to memorize. Each statement in a program is given a line number by the programmer, and the BASIC operating system automatically places the statements in order.

Program editing is easily accomplished simply by retyping any incorrect statement or assigning a line number between two existing lines to a statement to be inserted in a program. The 9830A has expanded on this editing capability by providing complete character-by-character editing. The user may recall a line of program to the display, edit the characters within that line, and store the corrected line without retyping the whole line. If an error is made while typing a statement, the incorrect line can be recalled and edited.

BASIC is also well suited for implementation by an interpreter rather than a compiler. With a compiler, the user's program is transformed before execution time into machine-language instructions, which are executed directly by the machine processor. With an interpreter, the user's program remains in memory in source form and an interpreting program examines the source program and calls on the appropriate execution routines. The main advantage of an interpreter in an interactive system like the 9830A is that only one copy of the user's program is needed for program editing and execution. With an interpreter, only minor additions are required to implement calculator functions such as TRACE or single STEP, or execution of statements directly from the keyboard.

Features of BASIC

The BASIC language has several important features which are new to programmable calculators. The most important is the type of variables that are allowed. Simple numeric variables, single- and double-subscripted array variables, and string variables may all be used. Array variables permit the analysis of large numbers of data items. String variables, which are strings of alphanumeric characters, permit such things as names and addresses to be analyzed and stored. Each variable is named by any letter of the alphabet, so the user can use R for resistance, Q for quota and N for the number of elements in an array. The calculator interpreter reserves only enough memory space for the variables currently in use.

Another feature of the BASIC language is user-definable functions. Standard BASIC restricts these functions to single arithmetic expressions, and allows only one parameter.

```

5 PRINT " X" TAB10"EXP(X)" TAB22"EXP(-X)" TAB36"SINH(X)" TAB48"COSH(X)", "TANH(X)"
6 PRINT
10 FOR X=-1 TO 1 STEP 0.1
20 WRITE (15,130)X,EXPX,EXP(-X),FNSX,FNCX,FNTX
30 DIM Z(51,6),F$(22),L$(22),B$(2),C$(60),B(6,1)
35 FORMAT F12.3
40 NEXT X
50 END
60 FOR J=1 TO 6
70 Z(1,J)=-G(J,1)
80 NEXT J
90 FOR I=1 TO L(2)
100 DEF FNS(X)=(EXPX-EXP(-X))/2
110 DEF FNC(X)=(EXPX+EXP(-X))/2
120 DEF FNT(X)=(EXPX-EXP(-X))/(EXPX+EXP(-X))
130 FORMAT F4.1,2E13.4,3F12.4

```

X	EXP(X)	EXP(-X)	SINH(X)	COSH(X)	TANH(X)
-1.0	3.6788E-01	2.7183E+00	-1.1752	1.5431	-0.7616
-0.9	4.0657E-01	2.4596E+00	-1.0265	1.4331	-0.7163
-0.8	4.4933E-01	2.2255E+00	-0.8881	1.3374	-0.6640
-0.7	4.9659E-01	2.0138E+00	-0.7586	1.2552	-0.6044
-0.6	5.4881E-01	1.8221E+00	-0.6367	1.1855	-0.5370
0.9	2.4596E+00	4.0657E-01	1.0265	1.4331	0.7163
1.0	2.7183E+00	3.6788E-01	1.1752	1.5431	0.7616

Fig. 3. Sample 9866A printout shows the extended formatting capability of the 9830A.

Like standard BASIC, 9830A BASIC allows only one parameter. However, the definition of the function can consist of more than one statement. For example, a function to evaluate N factorial may be defined as follows.

```

100 DEF FNF (N)
110 N1 = 1
120 FOR N2 = 1 TO N
130 N1 = N1 * N2
140 NEXT N2
150 RETURN N1

```

To assign a function to a user-definable key, the user presses the key labeled FETCh and then presses any of the ten definable keys. This puts the calculator into the key-definition mode. The user then enters his function and presses the END key. Now whenever he presses that particular key, the calculator responds with the name of the function—for example FNF for the factorial function. The user can then enter the argument, 5 for example, followed by the EXECUTE key. The calculator responds with the answer 120. Functions assigned to keys can be called either from the keyboard or from a program.

Single- or multiple-line functions are one of three categories of operations that can be assigned to the user-definable keys. These keys can also be used to store entire programs.

The user may also assign typing aids to his user-definable keys. A typing aid is simply a string of

alphanumeric characters. Whenever a typing aid key is pressed, the characters that are assigned to that key are entered into the display just as if those characters had been entered individually from the keyboard. For instance, each of the keys could be assigned a mnemonic such as PRINT, INPUT, READ, and so on. These keys could then be used in typing BASIC programs. These functions of the user-definable keys make the 9830A act more like a calculator.

Output Formatting

A severe limitation of BASIC is its restricted formatting capability. In the 9830A, four new statements have been added to make output formatting more flexible. Two statements, FIXED and FLOAT, allow the user to specify the format for the numeric output in his PRINT or MAT PRINT statements. Two other statements called WRITE and FORMAT give the user formatting capability similar to FORTRAN. Fig. 3 illustrates the 9830A's formatting ability.

A series of tape operating commands has also been added to 9830A BASIC to control the built-in tape cassette. A command called MARK is used to initialize a cassette and set up a structure of fixed length files. These files can then be accessed randomly by file number. Three types of information can be stored and recalled from the cassette: user programs, numeric and string data, and sets of user definable keys. The command structure is simple yet flexible.

Add-on ROM

The most unique feature in the 9830A BASIC interpreter is its modularity. Each statement or function is accessed through a series of tables in ROM. Tables can be accessed on as many as eight optional add-on ROM modules, or even in the read-write memory. These add-on ROM modules, each containing 1024 words, are available both in small plastic cases and as printed-circuit modules that can be plugged into the 9830A. After a ROM is in place, the calculator can understand the commands implemented by that ROM and the interpreter can jump to the execution routines stored in it.

Five add-on ROMs are now available. The Matrix and String Variable ROMs include commands that are part of many BASIC systems, but are not needed by all BASIC users. The MAT commands on the Matrix ROM allow initialization of an array to all ones, all zeroes, or the identity matrix, or reading of the values for an array from DATA statements. Matrix arithmetic functions—addition, subtraction, multiplication, and multiplication by a scalar—are easily called for, and functions to take the inverse and transpose are also included. This ROM also includes two commands that are not common in BASIC. They are a REDIM statement to redimension an array without changing the values of any elements, and a DET function for taking the determinant of a matrix.

The String Variable ROM allows the BASIC program to handle strings of alphanumeric characters. The program can initialize, change, examine, and test these strings, and it can ask the operator to input character strings through the keyboard. The simplest example of the value of string variables is an operator typing "YES" or "NO" in response to a question posed by the program. This add-on ROM makes the 9830A truly conversational.

The Plotter ROM adds several new statements to the 9830A language and provides the drivers needed to control the 9862A X-Y Plotter. Some of the most significant capabilities added are automatic scaling, convenient axis drawing, absolute and incremental plotting, and plotting relative to any origin. Labeling plots and axes has been made simple by a LABEL statement. This statement allows the user to draw alphanumeric characters of any height and width, at any angle of rotation.

The Extended I/O ROM adds statements and functions which provide convenience and flexibility in controlling input and output peripherals. The two most important features in this block are an ENTER statement that is used to input data from a peripheral in either free field or formatted form, and an

automatic code conversion capability which allows the 9830A to communicate with peripherals using character codes other than ASCII. The Extended I/O ROM communicates through the standard interface scheme of the 9800 Series, and uses the standard interface cards.

Terminal Capability

The fifth ROM that is presently available with the 9830A is a Terminal ROM. This ROM gives the 9830A the unusual capability to act as a computer terminal. It can communicate with a time-sharing service through a modem at any speed from 3 to 300 baud. This optional ROM overrides the standard keyboard input routine and bypasses the syntax routines so that lines of free text can be stored in memory. For example, a FORTRAN program may be entered into the 9830A, edited, and saved on cassette. After a program has been entered and edited, the user can call up his time-sharing service and have the 9830A transmit the program automatically. The user may also have his time-sharing service transmit a program to be saved in the memory of the 9830A. The editing, execution and storage capabilities of the 9830A make it a very powerful computer terminal.

Modular Firmware

Underlying the modularity and expandability of 9830A BASIC is the modular structure of the firmware (machine-language programs) stored in ROM in the 9830A. Fig. 4 is an overall block diagram. Each shaded block can accept optional ROMs to expand its capabilities.

The keyboard input routine and keyboard monitor perform the user interaction and editing functions. The syntax routines, the pre-execution processing routines and the statement execution routines are the essential elements of the BASIC interpreter. There is a separate syntax routine and execution routine for each different statement type.

The syntax routines accept an input record from the keyboard routines. This record is a string of the characters that were entered at the keyboard. The syntax routines examine the input record, character by character, checking for proper statement syntax, and transform the string of characters into a series of operation and operand codes that can be more easily used by the execution routines.

The key to the modularity of the syntax firmware is a table search routine which scans a series of name tables on each of the option-block ROMs and the main system ROM. The table search routine searches for a match between the characters in the

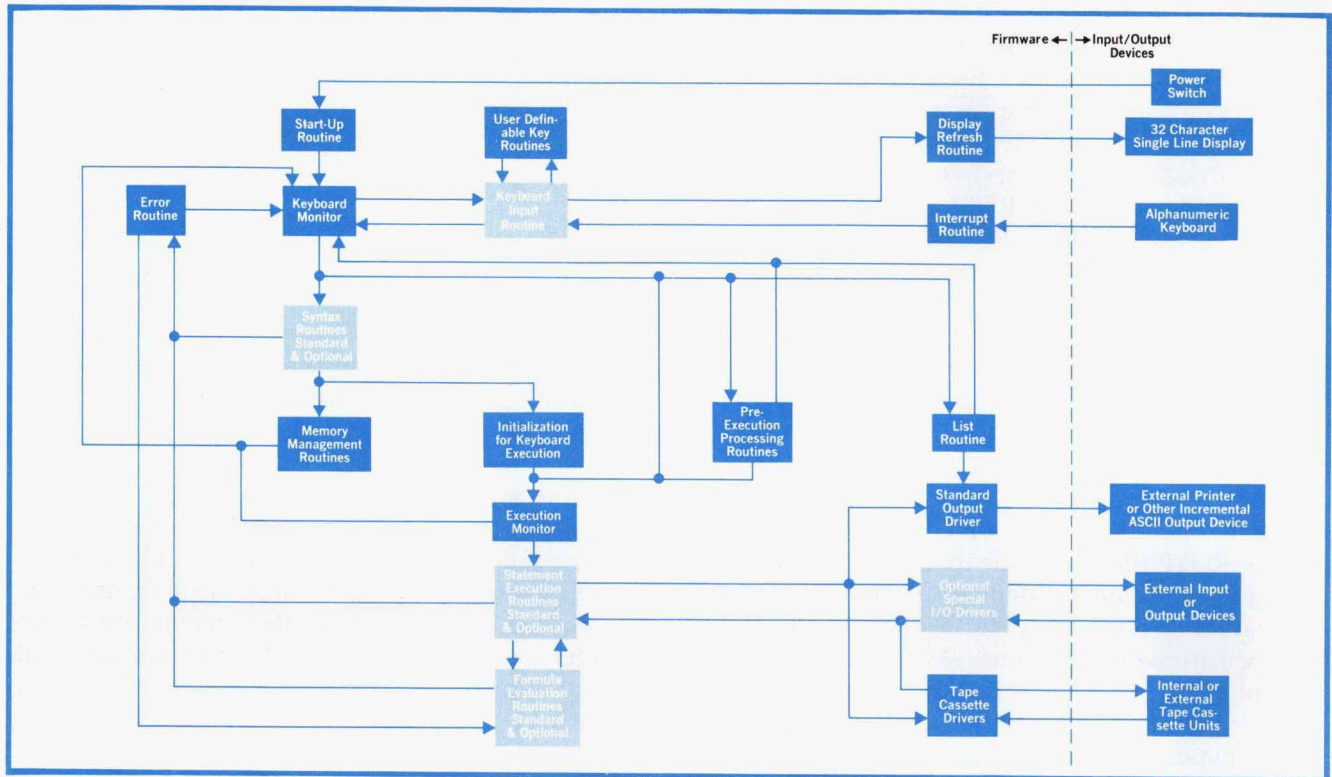


Fig. 4. 9830A BASIC is implemented by firmware routines stored in read-only memory. Modularity makes it easy to expand the language by adding plug-in ROM. The shaded blocks are the expandable modules.

input record and the characters in the tables in ROM. If a match is found, two codes are stored in the translated format of the input record, a code for the command, and a code for the ROM block where the command is located.

Two codes of information are also stored for each operand, a five-bit code for the letter naming the operand, and a five-bit code for the variable type. The type code is used to distinguish, for example, A, A(1), A1, and A\$, which all have the same variable name. During syntax analysis, numeric constants are converted to a floating point format, and line numbers are converted to 16-bit integers. After syntax analysis, control is passed to the memory management routines to store the statement in program memory, or to the initialization routine, which prepares the calculator to execute the statement directly.

The interpreter uses a symbol table to keep track of the variables that are currently in use. It is the job of the pre-execution processing routines to set up this symbol table at the start of program execution. When the RUN command is given, old symbols are deleted, and then the current program is scanned. Any array variable names and their di-

mensions are saved in the new symbol table.

After the program scan, storage is reserved for each array and a pointer giving the starting memory address for each array is saved in the symbol table. A special key causes the pre-execution processing phase to be performed without the execution phase. This allows the user to set up his symbol table for array variables so they can be used from the keyboard.

Symbol table entries for simple variables and user-defined functions are made during the execution phase. This allows simple variables to be defined by a statement executed directly from the keyboard. The calculator user needn't be aware that a symbol table is being used. Any variable he wants to use is available immediately.

The execution monitor uses the code stored with each statement to locate the proper block of memory and branches to the execution routine for that statement. The execution routines examine the operation and operand codes and call upon subroutines to perform the arithmetic execution. The statement execution routines also call upon driver routines for control of the cassette, printer, display and any external input or output devices. 5

(For a biography of the author, see page 4)

9800 Processor Incorporates 8-MHz Microprocessor

By Henry J. Kohoutek

THE PROCESSING UNIT for HP 9800-Series calculators is a microprogrammed 16-bit serial processor that is capable of executing 75 basic machine-language instructions. The processor

- controls the data flow between memory and working registers,
- performs logical and binary or decimal arithmetic operations on data in the working registers,
- performs logical decisions (branching) based on the states of 16 qualifiers (carry/borrow, operation codes contained in machine-language instructions, etc.),

- controls the internal clock for variable-cycle-time microprogram steps, and
- transfers control to the I/O controller for input and output instruction execution.

The processing unit is implemented with MSI bipolar logic circuitry with strong emphasis on read-only memories. Central control of the processor, memory, and I/O unit is nested in microprograms stored in these ROMs in the microprocessor section of the processor (see Fig. 1). The microprocessor executes machine-language instructions in cycles by following these microprograms.

It's important to note that there are two levels of

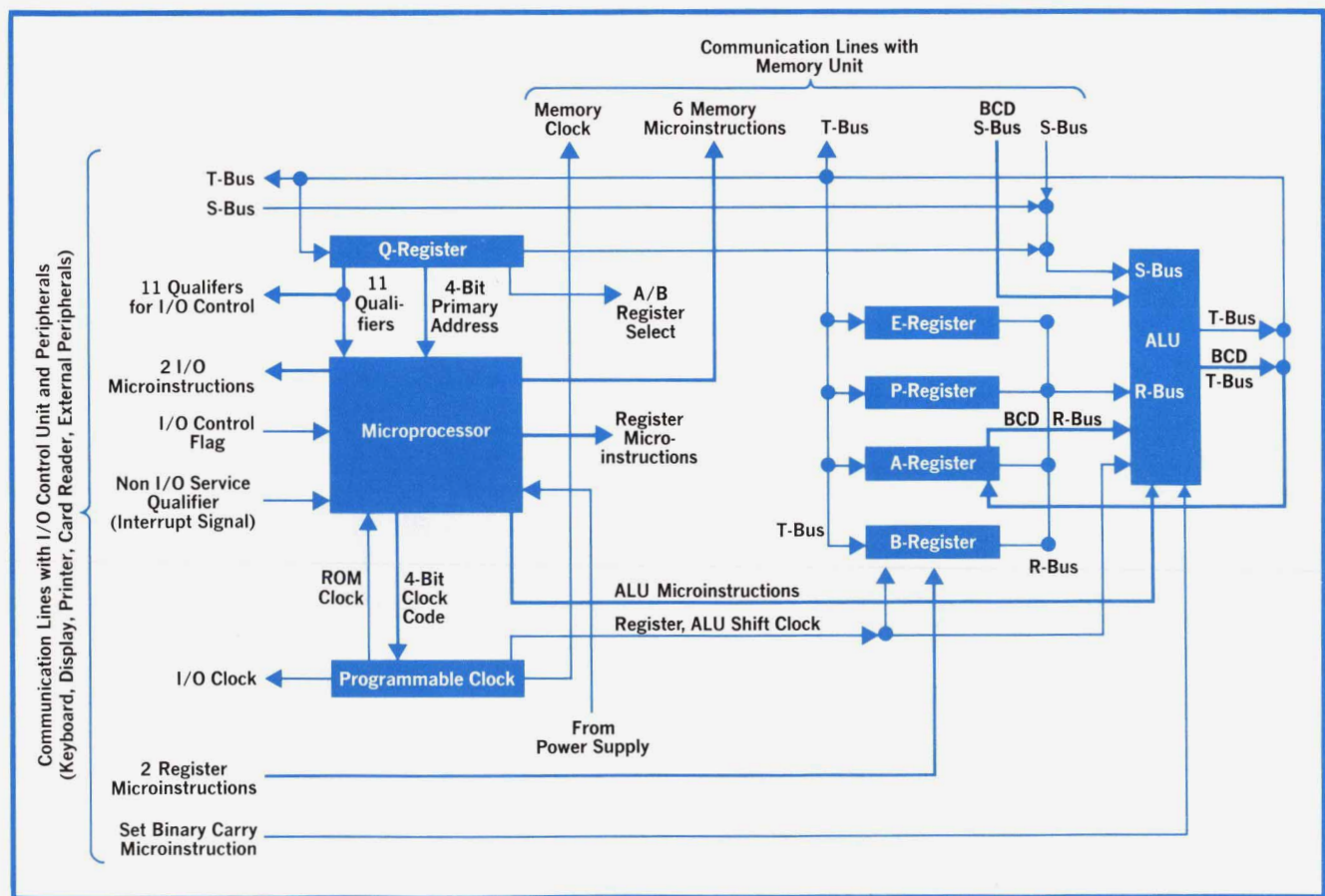


Fig. 1. Processor organization features three buses, five working registers, microprocessor, and arithmetic/logic unit (ALU).

ROM in 9800-Series Calculators. Keystrokes or user program statements initiate sequences of *machine-language instructions*. These sequences are stored in MOS ROMs that are part of the memory system (see article, page 22). For each of the 75 machine-language instructions there is a sequence of microinstructions stored in the microprocessor's bipolar ROM. The ROM modules that plug into 9800-Series Calculators expand the higher-level MOS ROM, not the microprocessor ROM, which is the same in all models.

The microprocessor ROM, which holds the microprogrammed execution routines for individual machine-language instructions, consists of a block of seven bipolar read-only memories organized in 256 words of 28 bits. Fast routine execution times, based on an internal clock frequency of 8 MHz, help speed up all keyboard functions.

Fig. 1 is a block diagram of the 9800 processor, showing its organization and its relationships with the memory and input/output control unit. The processor has an R-S-T bus configuration. Two buses, R and S, carry data to the arithmetic/logic unit (ALU), and the third bus, T, carries the ALU output.

There are five principal working registers which communicate via the bus system and the ALU, under control of the microprocessor's instruction logic and the number of shift clock pulses that have occurred.

P-register is the calculator's program counter. By going through a step-by-step counting sequence, it causes successive instructions to be read out of the memory. The sequential stepping can be altered by execution of skip or jump instructions, thus causing the program to continue at a different memory address. During execution of some instructions, the *P-register* contains a special binary word that is used to simplify digit and word counting.

A-register is one of the calculator's two accumulators. It is capable of accepting results of both binary and decimal arithmetic operations. When a decimal operation is performed, the four-bit result is temporarily received in bits $A_3 - A_0$ of the *A* register.

B-register is another accumulator. It has the same capabilities as the *A*-register except for decimal arithmetic.

E-register represents a flexible four-bit extension of all other registers. It's used for left and right shifts with binary-coded-decimal data occupying several memory locations.

Q-register contains the program instruction currently being executed. Its individual bits can be tested as qualifiers to perform microprogram

branching according to the instruction code. In the final part of microprogram routines when the instruction code has been fully recognized, the *Q-register* is used for temporary storage of internal processor information.

The programmable clock contains the system clock generator, along with logic which, by decoding the clock field of the microinstruction, causes the correct number of shift pulses to be issued to the working registers and the ALU. This scheme makes it possible to have variable cycle time for each state of the microprogram, and results in a substantial saving in microprocessor ROM. A ROM clock pulse occurs once for each microprogram state and is applied to the ROM address flip-flops.

The binary/BCD arithmetic logic unit (ALU) performs one-bit binary logic and arithmetic operations, as well as four-bit binary-coded-decimal arithmetic operations. Coded results for all logic and arithmetic operations are nested in a form of special look-up table on two bipolar 1024-bit ROM's. Data from working registers and the carry flip-flop, together with the microinstruction to be executed serve as ALU inputs. These inputs define a unique ROM address where the proper result is encoded, and gates are enabled to place this result on the ALU output lines. The states of two ALU carry flip-

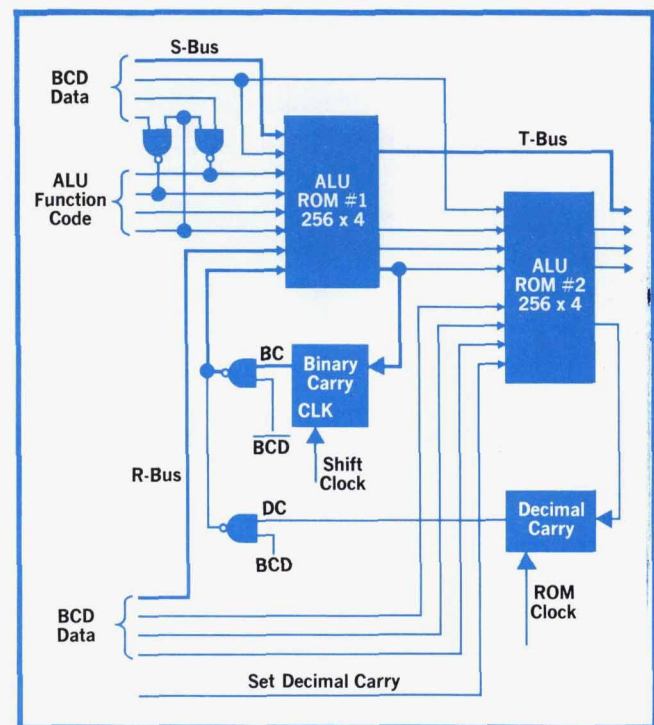


Fig. 2. Arithmetic/logic unit (ALU) performs binary arithmetic and logic operations and binary-coded-decimal arithmetic operations.

flops are communicated to the microprocessor where they are recognized as special qualifiers. The ALU organization is shown in Fig. 2.

The processor communicates with the memory unit and the I/O control unit via the T-bus and the S-bus and by special groups of memory and I/O microinstructions. The processor's clock circuitry synchronizes all units by generating memory clock pulses and I/O clock pulses.

Microprocessor

Detailed structure of the microprocessor is shown in Fig. 3.

The primary and secondary address flip-flops form a microprogram counter, which selects the memory location where the microinstruction to be executed is stored. Each microinstruction is 28 bits wide and contains information to control the data flow in the system by enabling appropriate gates and generating the proper number of shift clock pulses.

Also included is information to define the ROM address of the next microinstruction. Thus instead of being limited to a fixed address sequence, the

microprogram may in effect execute almost a random walk through the ROM addresses.

The microinstruction format is shown in Fig. 4. The four-bit qualifier code in each microinstruction serves a dual purpose. If branching is desired, the microinstruction BRC must be programmed. If the preceding microinstruction is BRC, the four-bit qualifier code selects the proper qualifier to be tested and the primary address of the next microinstruction is the same as the current one. If the preceding microinstruction is not BRC the qualifier code defines the primary address of the next microinstruction.

A single-chip 16-bit data selector permits any one of the 16 qualifiers to be tested according to the qualifier code. If branching is to occur, the microinstruction BRC, along with a signal from the data selector, defines the least significant bit of the secondary address of the next microinstruction, according to the result of the qualifier test.

A special microinstruction, IQN, inhibits all shift clock pulses from the clock decoder in case the selected qualifier condition was not met. This in effect prevents execution of microinstructions in that ROM state.

To minimize the microinstruction width the operation codes for clock decoder, ALU, bus-gate control, and so on, are coded into groups and decoded by hardware into individual signals.

Besides the 75 basic machine-language instructions, the system can also perform indirect memory calls, interrupts, I/O calls, and a simple resident diagnostic of its own performance in start-up conditions.

Testing in Production and Service

The microinstructions that control the calculator's processor and memory define the lowest language that can control the machine hardware. Therefore, for testing 9800 Series Calculators on the production line and in the field, a tester was designed to execute machine diagnostics on the microprocessor level, following a "start-small" strategy.

The tester organization is very similar to that of the microprocessor, but instead of machine-lan-

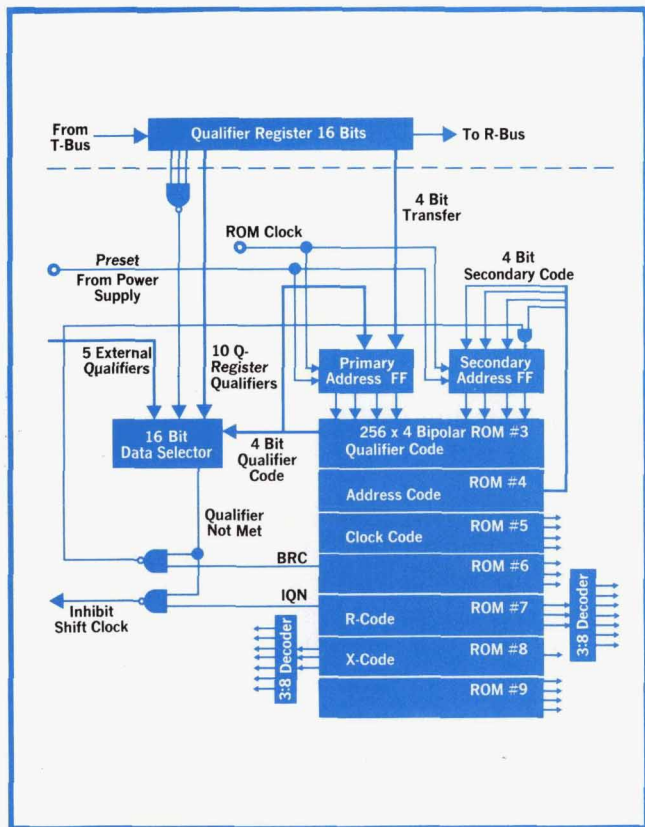


Fig. 3. Microprocessor read-only memories contain sequences of microinstructions that control execution of keyboard instructions.

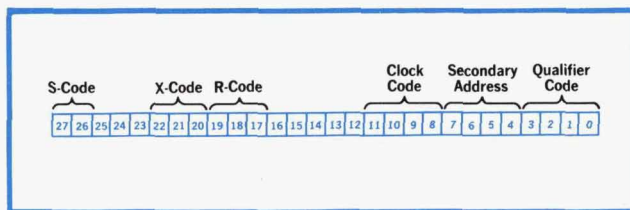



Fig. 4. Microinstruction format.

guage execution routines, a system of tests is nested in a group of ROM's. Virtually identical organization, hardware, and timing of microprocessor and tester assures similarity between working and testing conditions from a physical and an electrical point of view. This means that the diagnostic information represents a realistic picture of the state of the tested machine.

The tester hardware also contains logic for convenient manual operations, simple aids for troubleshooting in case an error is detected, and circuitry for computer interface.

Test routines are organized in a sequence. There is a pretest, a series of 22 tests, and a posttest to check magnetic-card-reader mechanics. The pretest is a manually controlled resident microdiagnostic routine designed to test the tester's hardware. The start-small strategy is reflected in the test sequence, which begins with very simple tests of binary logic functions of the ALU, and continues through register tests to complex tests of the entire ALU and memory. Each test uses only successfully tested parts of the machine hardware and evaluates only a small new part of the hardware. This makes it easy to locate failures when an error is discovered. 



Henry J. Kohoutek

Henry Kohoutek joined HP in 1969 after ten years of experience in small EDP device design, research and development, and production management. He received the equivalent of an M.S.E.E. degree in 1959 from the Technological Institute in Prague, Czechoslovakia. He holds 14 patents (including one U.S. patent). He has written several articles and is the author of the Loveland Division Reliability Engineering Handbook. Henry enjoys hiking, classical music, and philosophy.

All-Semiconductor Memory System Includes Read-Only and Read/Write Chips

By Calvin L. Finn

MEMORIES IN 9800-SERIES CALCULATORS store information needed by the processor to perform its tasks. This information may be data, program steps, or instructions. The retention of pieces of data (words) is the job of two types of semiconductor memory chips. Read-only memory (ROM) is used for permanent storage of machine-language instructions that implement the calculator's language. Data and user-entered programs are stored in read/write memory (RWM).

A memory system is composed of memory devices and the support electronics that interfaces the memory to the processor. The 9800 processor is a 16-bit serial machine, while the 9800 memory is basically a parallel-in-and-out device. Thus the required support electronics consists of two 16-bit shift registers and a control system. One of the registers, the address or M-register, tells the mem-

ory where a word is located. The other register, the data or T-register, is a temporary store for the word being written into or read from memory. The control system dictates the action of the registers and the memory devices.

Requirements for ROM in the 9800 Series couldn't be met by commercially available devices, so HP developed both the design and an n-channel MOS process to build the needed ROMs. The n-channel process was used because these devices are directly compatible in both input and output with the TTL integrated circuits used throughout the calculator.

Each ROM is fabricated on a 0.107×0.110 inch silicon chip. There are 4096 programmable bits per chip, organized as 512 words of 8 bits each. The devices are static and consume no power when they are not enabled.

Data is retrieved from the ROM by applying

+12 V to a chip-enable input, addressing the desired cells, and enabling the proper output devices. The output levels are sufficient to drive one TTL gate directly and can be wire-ORed to expand the system. Two such chips are used for each 512-word-by-16-bit block of read-only memory.

Read/Write Memory

Read/write memory is made up of 1024-bit dynamic read/write memory chips (Intel 1103). These devices are p-channel MOS chips using silicon-gate technology. To maintain the memory contents, each cell must be refreshed every two milliseconds. This is accomplished by performing a read cycle on the cell to be refreshed. When information is read from a cell, the electric charge is transferred from the cell to a refresh amplifier and fed simultaneously to the chip output and back to the cell. Thus a read operation is nondestructive and functions as a refresh operation.

Each chip has 32 refresh amplifiers, so 32 cells are refreshed with each read. Performing the read 32 times and incrementing the address each time refreshes the entire chip. In 9800-Series Calculators the refresh is done at least every two milliseconds and takes 32 microseconds to accomplish.

Logic levels on all inputs are 0 and +16 V. This includes the address lines, three clock lines, and the data input line. The data output line is a current source of 600 microamperes maximum and must be amplified by a sense amplifier to bring the level up to TTL compatibility. The outputs are wire-ORable for expansion of the system.

Different models in the 9800 Series use two techniques in organizing the 1103s into blocks of memory. Model 20 uses 16 chips in parallel to build a 1024-word-by-16-bit block of memory. Models 10

and 30 use eight chips in parallel and access each chip twice per memory cycle. This multiplexing of chips allows each block of memory to be 512 words by 16 bits.

Memory System Operation

The entire memory system is under direct control of the microprocessor. Only those instructions given to the memory control by the microprocessor are implemented. The instructions are all synchronous and the amount of time allotted for each one is controlled by the microprocessor in conjunction with the master clock.

Upon receipt of the proper instruction, the memory control allows a 16-bit address word to enter the M-register. Included with the M-register are the chip-enable decoders and address-buffer gates. The address and chip-enable signals do not go to the memory chips until a read or write instruction is received. The chip-enable decoders determine which memory chip will respond to the instruction.

A memory cycle consists of a read/write instruction accompanied by 12 clock pulses from the system clock. The memory control makes the address available to the memory during the entire memory cycle. It uses the clock pulses to generate the timing signals required by both ROM and RWM.

During a read cycle the memory control allows the T-register to accept parallel data from the memory. Once this data is loaded into the T-register (on the last memory cycle clock pulse), the memory cycle is complete and the processor then transfers the data word serially from the T-register to the proper place for its use.

During a write cycle, the operation is reversed. First a word to be stored is shifted serially into the T-register, again under microprocessor command. The receipt of a write cycle instruction then causes this data to appear at the inputs to all RWM chips. The only chips that will accept this data are those selected by the chip-enable decoders. The control system then generates the proper timing signals from the 12 clock pulses to cause the data to be written into the memory cells. This operation completes the write memory cycle.

The Refresh System

The memory control not only controls the memory cycles but also sees that all cells of RWM are properly refreshed. An oscillator with a period of less than two milliseconds tells the microprocessor that the memory needs to be refreshed. When the microprocessor is between instructions—when the calculator is changing from one instruction to an-

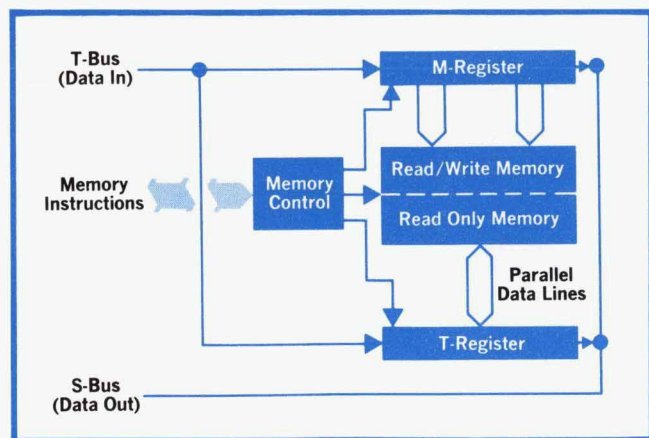


Fig. 1. Memory system organization.

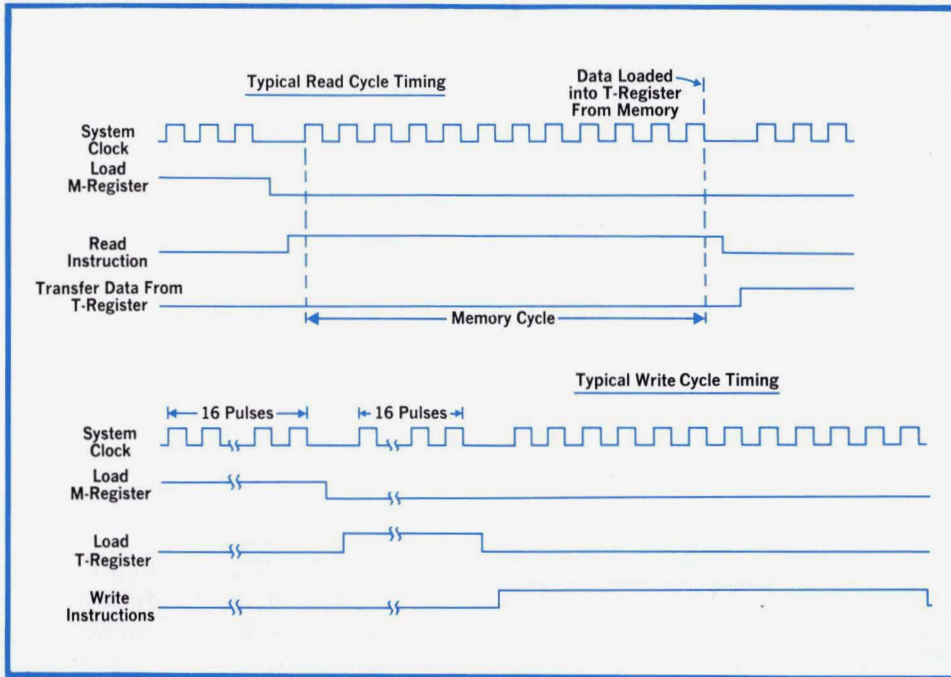

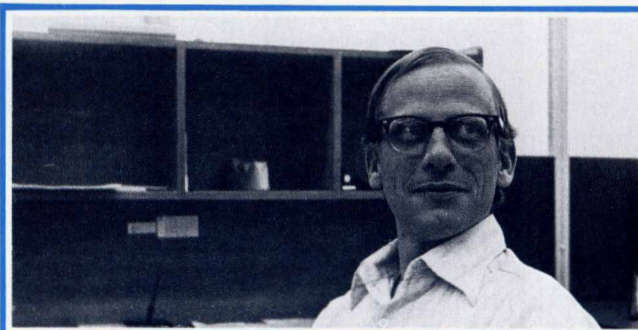


Fig. 2. Read/write memory timing.

other—it allows a refresh to occur. The next instruction is inhibited until the memory control informs the processor that refresh is complete. The next instruction is then generated.

Once refresh is allowed, a counter within the memory control keeps track of the 32 refresh ad-

resses, gives them to the memory, and does a read cycle for each address. In this case the data is not allowed to enter the T-register. All RWM chips are enabled so the entire memory is refreshed simultaneously. 



Calvin L. Finn

Calvin Finn joined HP in 1969 with B.S.E.E. and M.S.E.E. degrees from Colorado State University. He's been involved in bipolar and MOS memory system design, principally for the 9800 Series. Before joining HP he taught and did instrumentation research at C.S.U., where he authored several papers on hot-wire anemometry, and in 1969 was voted top electrical engineering professor. He's a member of IEEE, and he enjoys skiing, golf, and tennis.

Versatile Input/Output Structure Welcomes Peripheral Variety

By Gary L. Egan

THE INPUT/OUTPUT STRUCTURE of 9800-Series Calculators, which links the calculator with

its peripherals, is designed to be versatile and easy to use. It is flexible enough so a user can easily in-

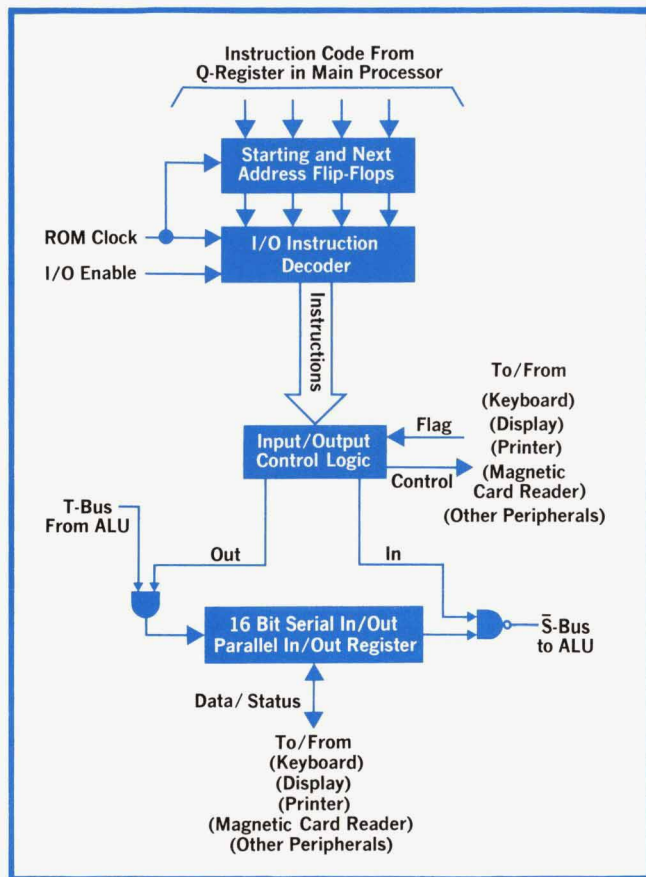


Fig. 1. Input/output processor is a self-contained micro-processor that implements the ten I/O instructions.

terface his calculator with a variety of HP peripherals as well as with many standard units and others of his own design.

I/O Processor

The input/output processor is a self-contained microprocessor composed of commercially available TTL logic circuits which generate the microinstructions necessary to implement the ten input-output instructions. The I/O processor is fully synchronous with the system clock and main processor, receiving starting control from the main processor whenever an input-output instruction is read from memory. While the I/O processor is in control, the main processor remains in a two-state waiting loop until the input-output instruction has been implemented, whereupon control is returned to the main processor. (See Fig. 1.)

The input/output instructions require six to twelve microseconds to execute. There are I/O instructions for setting or clearing flip-flops, for testing the state of flip-flops, and for moving data between registers in the main processor and the input/output register.

I/O Register

The I/O register is a 16-bit universal (parallel in/out, serial in/out) data register that is connected to the main processor by the serial bus system. Data contained in the I/O register is sent bit-serial into the main processor via the S-bus. Conversely, bit-serial data is received from the main processor by the I/O register via the T-bus.

The I/O register's 16 parallel outputs provide the source for an output information bus structure which is common to all connecting peripherals. Parallel input information is received via an input information bus structure terminated by the twelve least-significant parallel inputs of the I/O register. Input information may be loaded into the I/O register by interrupt request or upon demand from the calculator.

All data communication between individual peripherals and the calculator makes use of a "handshaking" operation. Data is placed on the bus lines by the transmitter and then a signal indicating data ready is sent. The receiver acknowledges this and returns a signal noting that data has been accepted.

Associated with the I/O register are control circuits that implement this "handshaking" operation. The control circuitry consists of gates and flip-flops which are controlled by the I/O processor.

Internal Peripherals

A group of peripherals which may be contained within the calculator are called internal peripherals and are distinguished from a group called external peripherals by the fact that they are directly addressed as a part of the input/output instruction. This group of internal peripherals includes keyboard, display, magnetic-card storage, thermal printer, and I/O register.

Each internal peripheral has associated with it a driver contained in read-only memory in the basic calculator, plus supporting control hardware. The I/O register is included as an internal peripheral since it is directly addressable from the I/O instruction set and it functions as a holding and passing register for all peripherals. Fig. 2 shows the relationship between the internal peripherals and the I/O structure.

External Peripherals

External peripherals are connected to the calculator by an external signal cable. They are addressed indirectly from the I/O register. In general the driver for any external peripheral is contained in a plug-in ROM which may be unique to a certain peripheral (e.g., a typewriter) or may contain a gen-

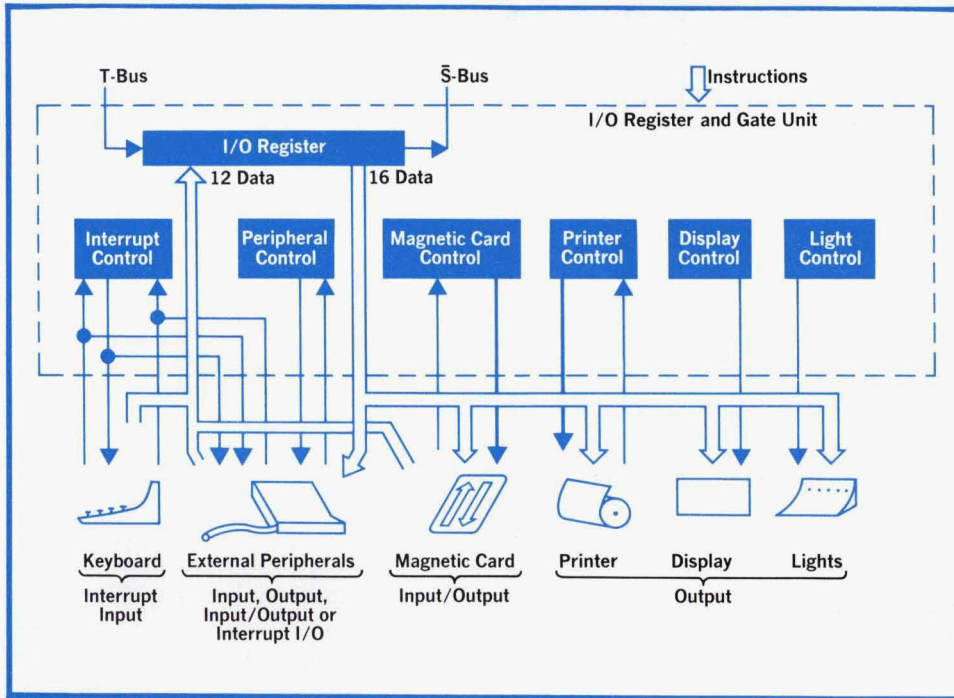


Fig. 2. I/O structure is designed to accommodate a variety of internal and external peripherals.

eral-purpose driver which communicates in bit-parallel, character-serial ASCII. Fig. 2 also shows the relationship between external peripherals and the I/O structure.

Peripheral Communication

All internal peripherals are addressed by the I/O instructions. Therefore, the receiving peripherals have access to the full 16-bit field of the I/O register. In addition each internal peripheral has its own control and flag logic by which "handshaking" takes place.

Communication with an external peripheral requires that a 16-bit word be formed in the processor. This word consists of a four-bit address in the four most significant bit positions, a four-bit status word in the four next-most-significant bit positions, and eight data bits in the eight least significant bit positions. This 16-bit word is sent to the I/O register, where the parallel outputs of the I/O register place the word on the bus structure. After this has been accomplished a control signal is placed on the control line which, with the decoded four-bit address, causes the desired peripheral to take action. A receiving peripheral acknowledges the receipt of data by returning a flag signal. A transmitting peripheral places its data and status on the twelve input lines and sends a data-ready signal to the calculator.

The kinds of external peripherals are unlimited. The addressing scheme of 9800 Series Calculators

provides for a maximum of 15 different addresses. Of these, addresses 10 through 15 are fixed and are reserved for unique drivers. Addresses 1 through 9 are variable and may be selected on a peripheral's interface card by means of jumper wires or switches. The bus structure makes the peripheral interfaces slot-independent, that is, they may be connected to any calculator I/O slot (Fig. 3). The basic calculator has 4 slots for peripherals, and this can be expanded to as many as 40 by means of I/O expanders.

Reliability

The I/O system uses time-proven TTL circuits with known good reliability characteristics. Supplementing the hardware reliability, the handshaking operation assures reliable data transmission over cables up to 10 feet long. Although 10 feet is the maximum recommended length, longer cables have been used successfully. 📄

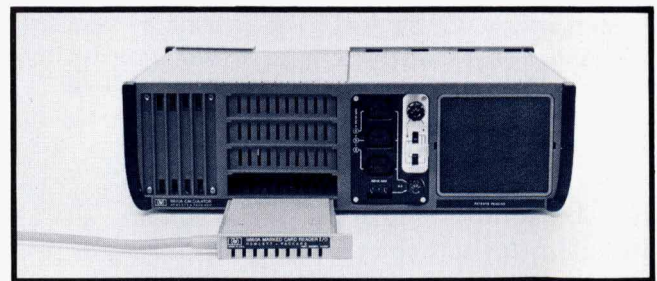


Fig. 3. Basic calculator has four I/O slots for external peripherals. Expanders add nine more slots each.

**System Information
Series 9800
Programmable Calculators**

Model 10

BASIC MODEL 10 CALCULATOR, including 51 registers and 500 program steps 9810A \$2475

FACTORY INSTALLED OPTIONS

111 Total Data Registers	Opt. 001	\$ 400
1012 Total Program Steps, or	Opt. 002	\$ 500
2036 Total Program Steps	Opt. 003	\$ 850
Printer	Opt. 004	\$ 675
Carrying Handle	Opt. 015	\$ 25

FIELD INSTALLABLE OPTIONS

111 Total Data Registers	11216A	\$ 440*
1012 Total Program Steps, or	11217A	\$ 540*
2036 Total Program Steps	11218A	\$ 890*
Field Installed Printer	11219A	\$ 715*

*Plus Field Installation Charge

PLUG-IN FUNCTION BLOCKS

Mathematics	11210A	\$ 485
Printer Alpha	11211A	\$ 485
Typewriter	11212A	\$ 225
User Definable	11213A	\$ 485
Statistics	11214A	\$ 485
Plotter	11215A	\$ 485
Plotter/Printer Alpha Comb.	11261A	\$ 800
Peripheral/Cassette Comb.	11262A	\$ 625
Peripheral	11264A	\$ 485
Cassette Memory	11265A	\$ 225
Peripheral/Printer Alpha Comb.	11266A	\$ 800
Typewriter/Cassette Comb.	11267A	\$ 450

Model 20

BASIC MODEL 20 CALCULATOR, Including 173 registers 9820A \$4975

FACTORY INSTALLED OPTION

429 Total Registers	Opt. 001	\$ 1250
Carrying Handle	Opt. 015	\$ 25

FIELD INSTALLABLE OPTION

429 Total Data Registers	11228A	\$ 1490*
--------------------------	--------	----------

*Plus Field Installation Charge

PLUG-IN FUNCTION BLOCKS

Peripheral Control I	11220A	\$ 485
Mathematics	11221A	\$ 485
User Definable	11222A	\$ 485
Cassette	11223A	\$ 225
Peripheral Control II	11224A	\$ 485

Model 30

BASIC MODEL 30 CALCULATOR, including 3520 Bytes (1760 words) read/write memory 9830A \$5975

FACTORY INSTALLED OPTION

7616 Total Bytes (3808 words) read/write memory	Opt. 275	\$ 1475
---	----------	---------

PLUG-IN FUNCTION BLOCKS

Matrix Operations	11270B	\$ 485
Plotter Control	11271B	\$ 485
Extended I/O	11272B	\$ 485
String Variables	11274B	\$ 485
Terminal I	11277B	\$ 485

9800 SERIES PERIPHERALS

Mark-Sense Card Reader	9860A	\$ 850
Typewriter Output	9861A	\$2250
Plotter	9862A	\$2675
Paper Tape Reader	9863A	\$1470
Digitizer	9864A	\$5900
Tape Cassette	9865A	\$1750
I/O Expander	9868A	\$ 975
General I/O Interface	11202A	\$ 200
BCD Interface	11203A	\$ 300
Thermal Printer	9866A	\$2975
Hopper-Fed Card Reader	9869A	†

† Not available at press time.

MANUFACTURING DIVISION: CALCULATOR PRODUCTS DIVISION
815 Fourteenth Street, S. W.
Loveland, Colorado 80537



Gary L. Egan

Now a calculator peripherals group leader, Gary Egan was project leader for the 9800-Series I/O Structure. At HP since 1965, his previous design contributions were to the 3430A and 3450A DVMs. Gary received his B.S. degree in 1964 and his M.S. degree in 1965 from Utah State University. Golf, church activities, and remodeling his house are his principal spare-time activities, and his favorite vacation is exploring the country by car.

Development of the 9800 Series

By Robert E. Watson

Engineering Manager, Calculator Products Division

Like most significant programs, the development of the 9800 Series Calculators was truly evolutionary in nature. The outcome is certainly much better than we envisioned at the beginning, and bears the marks of many contributors who added direction and vision at critical points in the definition of the individual products.

One key element was the outcome of early studies conducted by Ed Olander and Fred Wenninger that indicated that a special-purpose machine such as a calculator could be built with a general-purpose processor having a minicomputer type instruction set, with little or no loss in programming efficiency. This promoted the vision of a series of calculators, all using a common set of hardware, being different primarily in the internal firmware stored in ROM. Chuck Near tackled the job of inventing a small inexpensive general-purpose processor which could be microprogrammed to execute an instruction set much like our 2100-Series Computers. Fred Gross, Gerald Reynolds, and Gary Egan assisted with the logic design, while Henry Kohoutek struggled to squeeze into 256 states, all the normal instruction set plus several additional instructions to optimize the processor's performance for decimal arithmetic.

Meanwhile the question of memory technology became all-important. The printed-circuit ROM of the 9100 was still clearly ahead of integrated-circuit technology on a cost-per-bit basis. Thanks to the insight and ability of Ed Shideler, Larry Lopp, and others in our IC

(Continued)

area, and the encouragement of Marco Negrete, n-channel MOS was chosen as the technology of the future. Dave Maitland began working on a 4096-bit ROM chip while Larry, Tom Haswell, Tom Ligon, and Virgil Laing were developing the n-channel process which would make it work. For many months, the project hung on the question of whether the design and the process could be brought together successfully in time. It is a tribute to Dave's design and our IC Lab's process that the first circuit worked and required only minor "tweaks" to get to production.

Initially under the direction of Rex James, and later with Geoff Chance supplying the leadership, the development of the memory system proceeded in parallel with the ROM development. Calvin Finn, Gene Zeller, Glade Lybbert, and Ron Fuhrman helped devise a system which would allow blocks of memory to be easily added in a modular fashion. This would allow the function and even the language of the calculators to be changed by plugging in additional blocks of ROM.

As the basic hardware elements began to take shape, three different calculators were defined which would all use basically the same hardware. They would be labeled the 9800 Series, models 10, 20 and 30. Lou Dohse had the responsibility for the Model 10 which was to be the first product introduced. As such, Lou had the responsibility for the major share of the program, including all of the common hardware. The fact that such a complex project held to a difficult development schedule is a tribute to Lou's direction. Expanding on a concept initiated by Dave Cochrane at HP Labs, Roger Story and John Becker developed a non-contacting, inductive keyboard which promised to be extremely reliable. Leo Miller was given the job of designing the displays for both the Model 10 and 20. Jack Walden, Curt Brown, and Samir Gebala were responsible for the Model 10 firmware. Thanks to their imagination and ability, the machine—though an extension of the 9100A—contains many features and improvements over its predecessor.

The Model 20 was born with the idea that ROM would now be inexpensive enough to justify adding higher-level language capability to a calculator. The development of such a calculator was an iterative process and included the ideas of many people. Ed Olander, Fred Wenninger, and Wayne Covington began some early language studies using simulation techniques. Ed maintained the responsibility for the 9820A firmware throughout the entire project and was also assisted by Frank Yockey, Dennis Peery, and Mike Wingert. Jim Duley of HP Labs also gave valuable assistance with the compiler and basic machine structure.

Throughout its development the Model 20 was a machine which stimulated the imagination of all who were connected with it. The concept and structure of the machine allowed almost an unlimited number of features to be added, each costing "just a few words of ROM." The project leader required a steady hand at the helm to keep the project on course and yet not overlook those things of major significance which should be incorporated. Rex James inherited the job midway through the program, and brought to the project the necessary direction and management skill to bring it to a successful conclusion. The end result was a calculator which not only has a high-level interactive language, but seems so natural to use that the total concept almost appears to be obvious.

Under Myles Judd's leadership, the Model 30 project team investigated the possibility of a more powerful machine which could effectively marry the interactive nature of a calculator with a common computer language—BASIC. Early in 1970 a computer simulation of the language was done by Myles, Rick Spangler, Fred Wenninger, and Frank Cada. From that effort came many of the concepts which led to the final definition of the Model 30. As the firmware began in earnest, Rick was given responsibility for directing that effort which included assistance from Wayne Covington, Chris Christopher, Gene

Burmeister, Mike Wingert, Frank Cada, and Samir Gebala. Kent Simcoe developed the display and also designed an efficient power supply which was used in all three calculators. Wally Wahlen and Fred Gross contributed the memory design while Chuck McAfee, Alan Richards, Gilbert Sandberg, and Perry Pierce developed a tape cassette unit which would take the place of the magnetic card reader used by the other calculators, and could also be packaged separately as a peripheral.

Fundamental to each of the three calculators was the requirement of an alphanumeric printer. Models 10 and 20 required a built-in 16-column strip printer, while Model 30 needed an 80-column, page-width printer. Jim Drehle and Roger Edrinn were given the responsibility of the strip printer. Working with Blair Harrison, Al Antes, and others at Colorado Springs Division they were able to develop a suitable thick-film print head which could be used with existing heat-sensitive papers. An extension of the same techniques was used to design the page-width printer. Russ Sparks headed the project which included Ray Cozzens, Dick Barney, Leo Miller, Fred Wullschlegler, and Bob McMillan. Gale Hamelwright led the printer group in the early phases until he transferred from the Calculator division. The magnetic card reader was also developed in Gale's group with Havyn Bradley supplying the electrical design and Fred Wullschlegler the mechanical.

From the beginning, the need to have several key peripherals available at the time of introduction of the first 9800 Calculator was recognized. As the processor neared completion, Chuck Near took on responsibility for the peripheral program. A plotter project was initiated at San Diego Division with Norm Johnson, George Haag and Nilesh Gheewala doing the design. Henry Hetzel, Perry Pierce, and Max Davis contributed the interface for the Facit typewriter. Gary Egan designed the I/O section of the processor, and did the interfacing of the major peripherals. Andy Vogen and Bob Kuseski assisted in the development of the TTL and BCD interfaces.

There remain several noteworthy contributors that should be recognized. Gary Paulson, Hudson Grotzinger, Ron Fuhrman, and John Bidwell were principally responsible for the product design, with industrial design help from Don Aupperle and Arnold Joslin. Andy Vogen and Virgil Bennett supplied assistance in scheduling and parts coordination. Ivar Larson, Dave Cole, Homer Russell, and Bill Cummings coordinated activities with the marketing group and participated in the definition of the calculators as well as developing applications for them. Brian Smith, Ed Miller, and Bill Mueller wrote the technical manuals. Srinji Nageshwar and Hartmud Halversheid from HP GmbH spent several months with Jack Anderson and our production people here helping to develop production test equipment and preparing for a simultaneous production startup in Germany. As the program neared the production phase, it required the combined efforts of many people in the various departments of the Loveland facility. They are too numerous to mention, but many contributed great personal effort to satisfy the logistics necessary to meet the required schedule. Finally, the program received the constant attention and direction of our Division Manager, Tom Kelley. Loveland facility manager, Marco Negrete, gave valuable encouragement and support, particularly in the development of the MOS technology which was needed. Early investigation efforts were directed by Don Schulz before he assumed his present position as manager of the Loveland Instrument Division. I would also like to recognize the many ideas and suggestions of Barney Oliver and Tom Osborne and thank them for their continued interest.

In total, the 9800 program absorbed almost the entire efforts of the Loveland Calculator Division over an extended period of time. It is impossible to recognize all who contributed to its success. Perhaps it will suffice to say that the end products represent the combined best thinking of many people working together as a team, and as such are finer than anything we envisioned at the outset.

HEWLETT-PACKARD JOURNAL
DECEMBER 1972 Volume 24 • Number 4



*Technical Information from the Laboratories of
Hewlett-Packard Company, 1501 Page Mill Road,
Palo Alto, California 94304 U.S.A.
Hewlett-Packard S.A., 1217 Meyrin—Geneva, Switzerland
Yokagawa-Hewlett-Packard Ltd., Shibuya-Ku, Tokyo 151 Japan*

*Editorial Director: Howard L. Roberts
Managing Editor: Richard P. Dolan
Contributing Editors: Ross H. Snyder, Laurence D. Shergalis
Art Director, Photographer: Arvid A. Danielson
Art Assistant: Erica R. Helstrom
Administrative Services: Ruth G. Palmer*